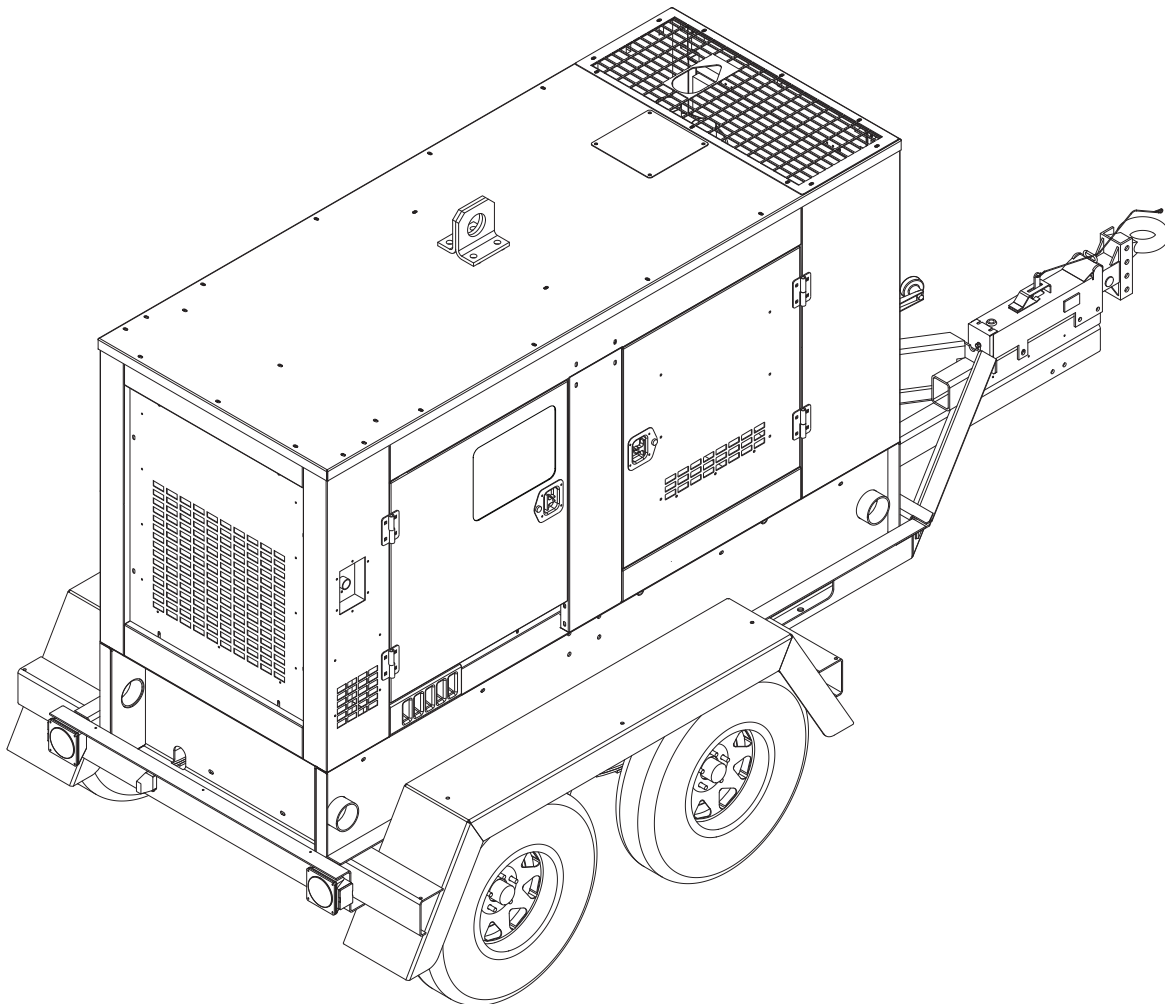


GENERAC®

**MOBILE
PRODUCTS**

**DIESEL GENERATOR
MMG100 • MMG100CAN
MMGCAN6 (V-FLEX)**



PARTS MANUAL

INTRODUCTION

Before servicing this machine, make sure the engine start switch is turned to “OFF /O”, the circuit breakers are open (“OFF/O”), the emergency stop switch is closed (pushed in), and the negative (-) terminal on battery is disconnected. Attach a “DO NOT START” sign to the control panel. This will notify everyone that the unit is being serviced and will reduce the chance of someone inadvertently trying to start the unit. If the unit is connected to a remote start or transfer switch, make sure the remote switch is also off and tagged.

▲ WARNING

Before operating or servicing this equipment, read and understand the Generac Operating Manual which was included with the unit when shipped from the factory. Failure to do so increases the risk of injury to yourself or others.

**Generac Mobile Products LLC
215 Power Drive • Berlin, WI 54923
U.S.A.
Phone: 920-361-4442
FAX: 920-361-4416
Toll Free: 1-800-926-9768
www.generacmobile.com**

For technical or parts QUESTIONS, please contact Generac Mobile Products, LLC Customer Support or Technical Support team at 1-800-926-9768. Please have your serial number available.

To ORDER SERVICE PARTS, please contact the dealer from which you purchased the unit, or call Generac Mobile Products, LLC to locate a dealer in your area.

Engine Make: _____
Engine Serial Number: _____
Engine Model Number: _____
Generator Make: _____
Generator Model Number: _____
Generator Serial Number: _____
Unit Model Number: _____
Unit Serial Number: _____

▲ WARNING

**CALIFORNIA PROPOSITION 65 WARNING:
Diesel engine exhaust and some of its constituents are known to the state of California to cause cancer, birth defects and other reproductive harm.**

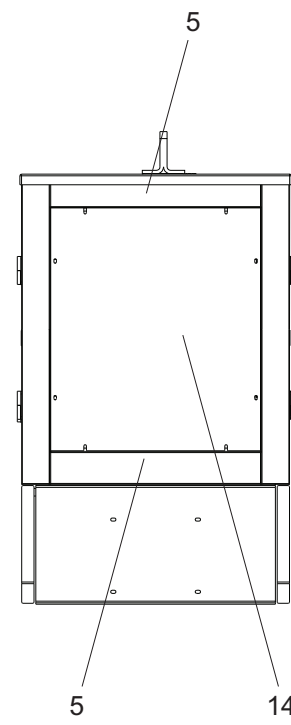
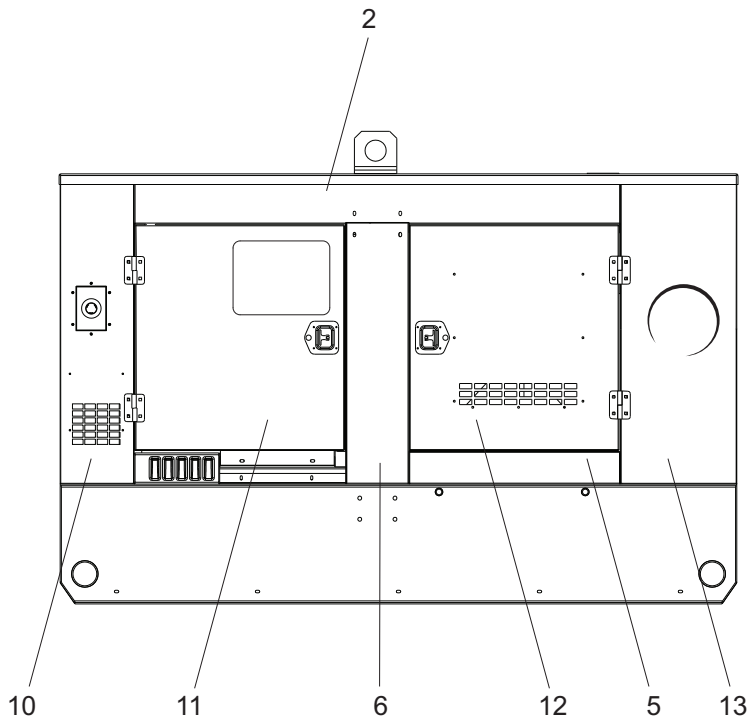
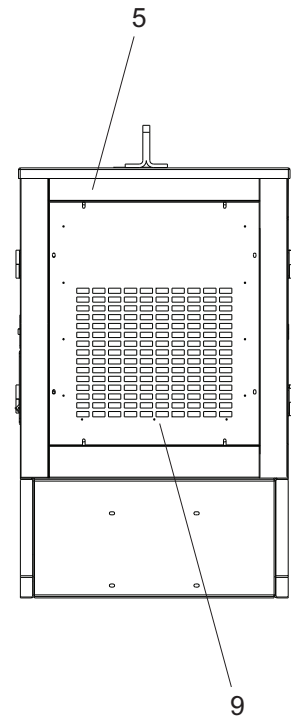
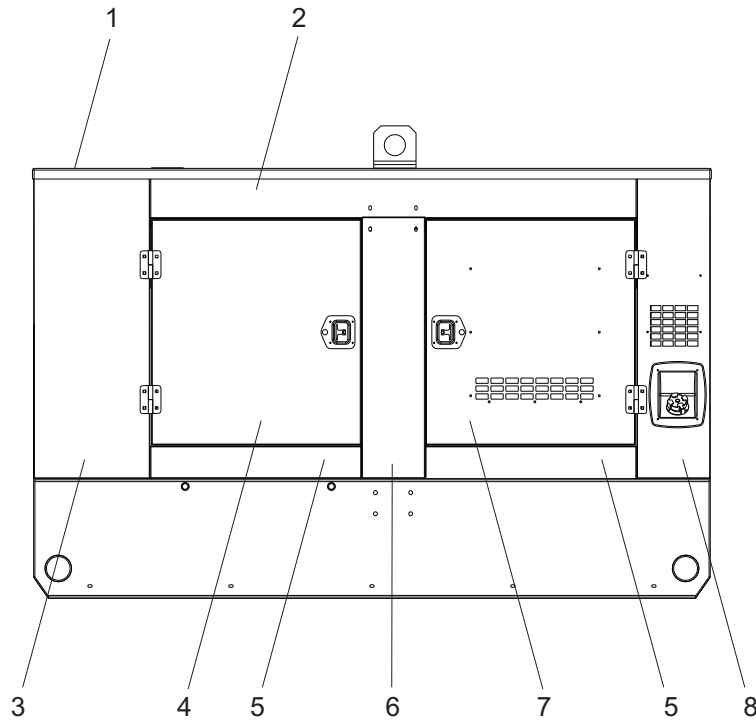
▲ WARNING

**CALIFORNIA PROPOSITION 65 WARNING:
This product contains or emits chemicals known to the state of California to cause cancer, birth defects, and other reproductive harm.**

TABLE OF CONTENTS

	Page
INTRODUCTION	2
TABLE OF CONTENTS	3
ENCLOSURE COMPONENTS	4
UNIT DECALS - LEFT SIDE	6
UNIT DECALS - RIGHT SIDE	7
UNIT DECALS - LEFT SIDE - MMG100CAN, MMG100CAN6	8
UNIT DECALS - RIGHT SIDE - MMG100CAN, MMG100CAN6	9
LUG BOX DOOR ASSEMBLY	10
LUG PLATE ASSEMBLY	12
LUG BOX ASSEMBLY	14
CIRCUIT BREAKER ASSEMBLY	16
CONTROL PANEL ASSEMBLY	18
CONTROL BOX ASSEMBLY	20
CONTROL PANEL AND BOX ASSEMBLY	22
EXHAUST SYSTEM ASSEMBLY	24
COOLING SYSTEM ASSEMBLY	26
ENGINE ASSEMBLY	28
FUEL TANK ASSEMBLY	30
GENERATOR BOX ASSEMBLY	32
GENERATOR ASSEMBLY	34
ENGINE MOUNT ASSEMBLY	36
SKID ASSEMBLY	38
CLUTCHED FAN ASSEMBLY - MMG100CAN, MMG100CAN6	40
ENGINE TO SKID ASSEMBLY	42
FRONT SIDE PANEL ASSEMBLIES	44
ROOF ASSEMBLY	46
RIGHT REAR SIDE PANEL ASSEMBLY	48
LEFT REAR SIDE PANEL ASSEMBLY	50
LEFT FRONT DOOR ASSEMBLY	52
RIGHT FRONT DOOR ASSEMBLY	54
LEFT REAR DOOR ASSEMBLY	56
CONTROL DOOR ASSEMBLY	58
CONTROL DOOR ASSEMBLY	60
TOP AND CENTER SIDE PANEL ASSEMBLIES	62
FRONT AND REAR PANEL ASSEMBLIES	64
END/SIDE PANEL ASSEMBLY	66
TRAILER ASSEMBLY - SINGLE AXLE	68
TRAILER ASSEMBLY - TANDEM AXLE	70
AXLE ASSEMBLY - SINGLE	72
AXLE ASSEMBLY - TANDEM	74
TRAILER BRAKE LINES - SINGLE AXLE	76
TRAILER BRAKE LINES - TANDEM AXLE	78
TRAILER HITCH OPTIONS	80
RECOMMENDED SPARE PARTS LIST	82

ENCLOSURE COMPONENTS

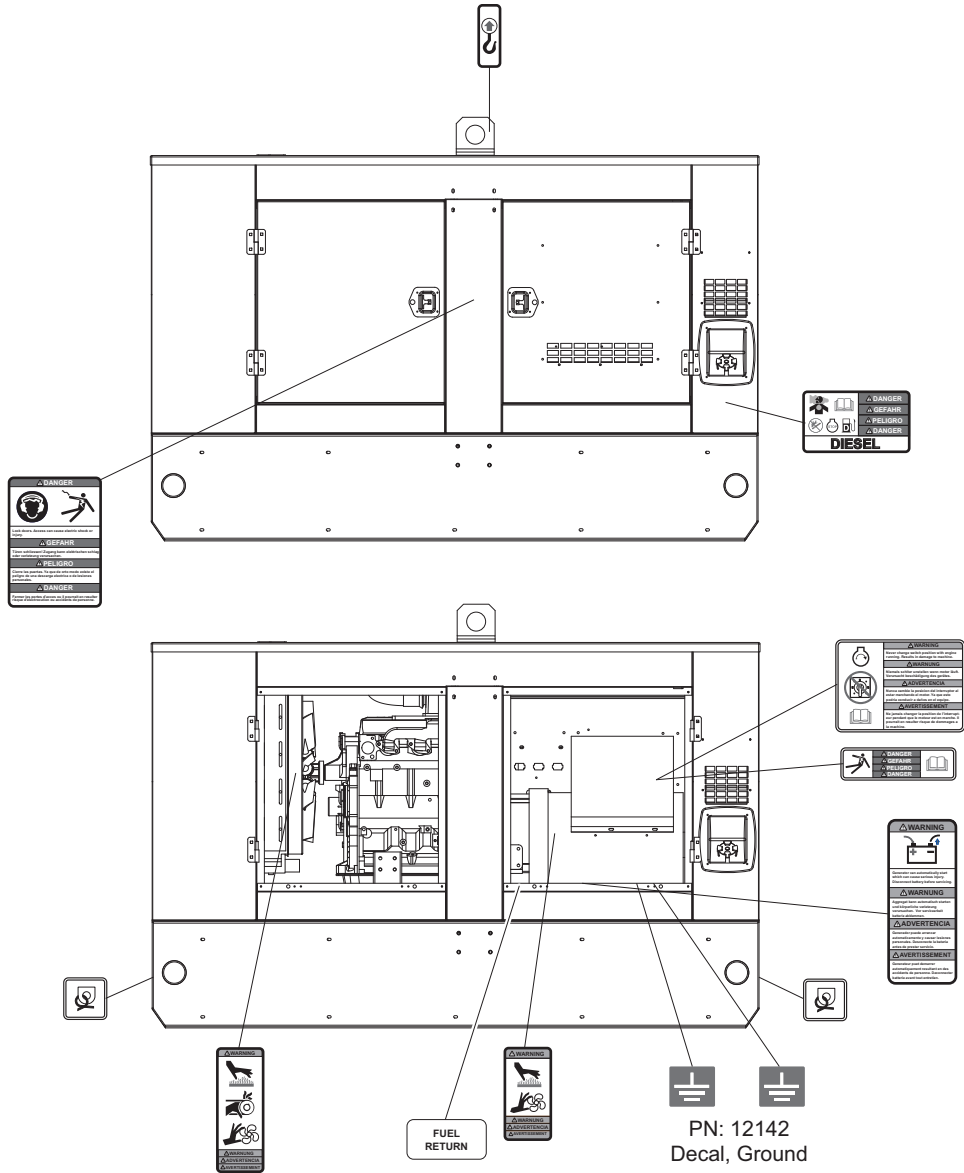


01528

ENCLOSURE COMPONENTS

ITEM	PAGE NO.	QTY	DESCRIPTION	NOTES
1	<i>Page 46</i>	1	Roof assembly	
2	<i>Page 62</i>	2	Top side panel assembly	
3	<i>Page 44</i>	1	Left front side panel assembly	
4	<i>Page 52</i>	1	Left front door assembly	
5	<i>Page 66</i>	7	End/side panel assembly	
6	<i>Page 62</i>	2	Center side panel assembly	
7	<i>Page 56</i>	1	Left rear door assembly	
8	<i>Page 50</i>	1	Left rear side panel assembly	
9	<i>Page 64</i>	1	Rear panel assembly	
10	<i>Page 50</i>	1	Right rear side panel assembly	
11	<i>Page 58</i>	1	Control door assembly (old style)	
	<i>Page 60</i>	1	Control door assembly (new style)	
12	<i>Page 54</i>	1	Right front door assembly	
13	<i>Page 44</i>	1	Right front side panel assembly	
14	<i>Page 64</i>	1	Front panel assembly	

UNIT DECALS - LEFT SIDE



CAUTION
 Before transporting unit
 turn OFF all four (4) Fuel Port
 Shutoff Valves per UN31A.

CAUTION
 OPEN VALVE
 BEFORE
 FUELING!

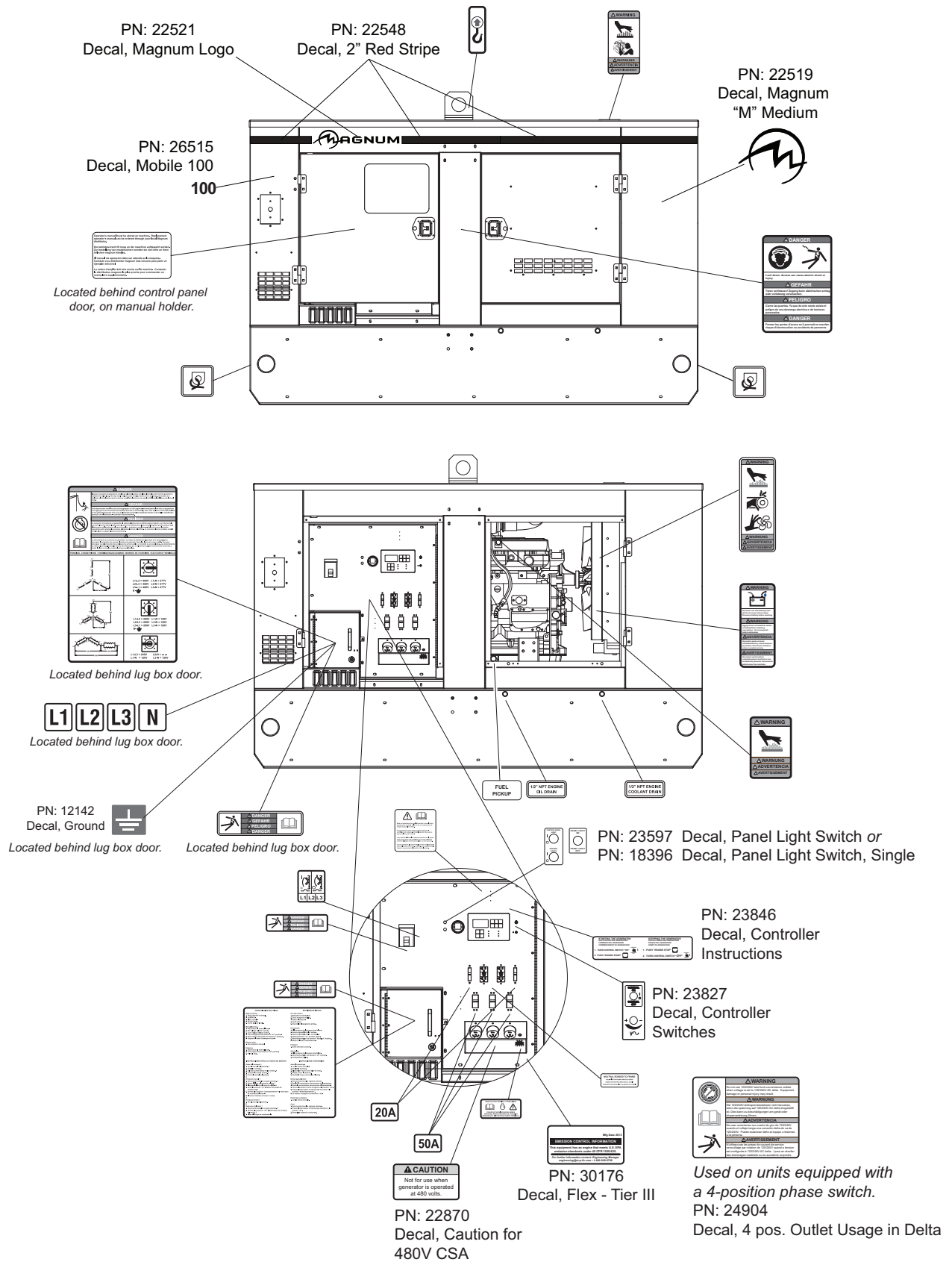
PN: 30175
 Decal, UN31A tank caution
 Located on tank.

ENGLISH INSTRUCTIONS	ABSCHLIEßBESTRICHENEN	RESTRICCIONES DE REBOLQUE	RESTRICCIONES DE REBOLQUE
1. No fumar ni beber. 2. No fumar ni beber. 3. No fumar ni beber. 4. No fumar ni beber. 5. No fumar ni beber. 6. No fumar ni beber. 7. No fumar ni beber. 8. No fumar ni beber. 9. No fumar ni beber. 10. No fumar ni beber.	1. No fumar ni beber. 2. No fumar ni beber. 3. No fumar ni beber. 4. No fumar ni beber. 5. No fumar ni beber. 6. No fumar ni beber. 7. No fumar ni beber. 8. No fumar ni beber. 9. No fumar ni beber. 10. No fumar ni beber.	1. No fumar ni beber. 2. No fumar ni beber. 3. No fumar ni beber. 4. No fumar ni beber. 5. No fumar ni beber. 6. No fumar ni beber. 7. No fumar ni beber. 8. No fumar ni beber. 9. No fumar ni beber. 10. No fumar ni beber.	1. No fumar ni beber. 2. No fumar ni beber. 3. No fumar ni beber. 4. No fumar ni beber. 5. No fumar ni beber. 6. No fumar ni beber. 7. No fumar ni beber. 8. No fumar ni beber. 9. No fumar ni beber. 10. No fumar ni beber.

Located on tongue of trailered units.

Note: All safety and operating decals are located on decal sheet 23599, unless otherwise noted.

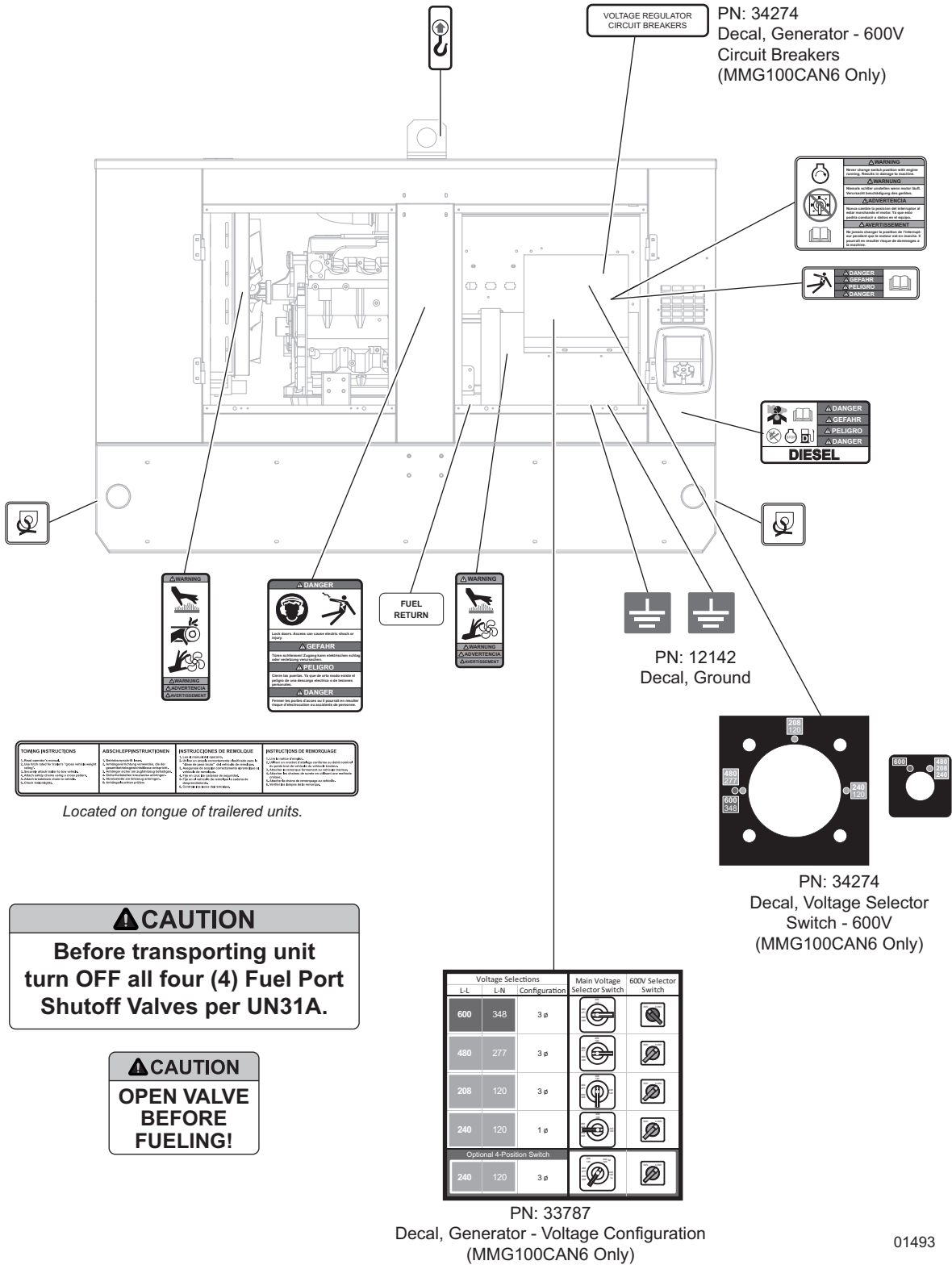
UNIT DECALS - RIGHT SIDE



01526

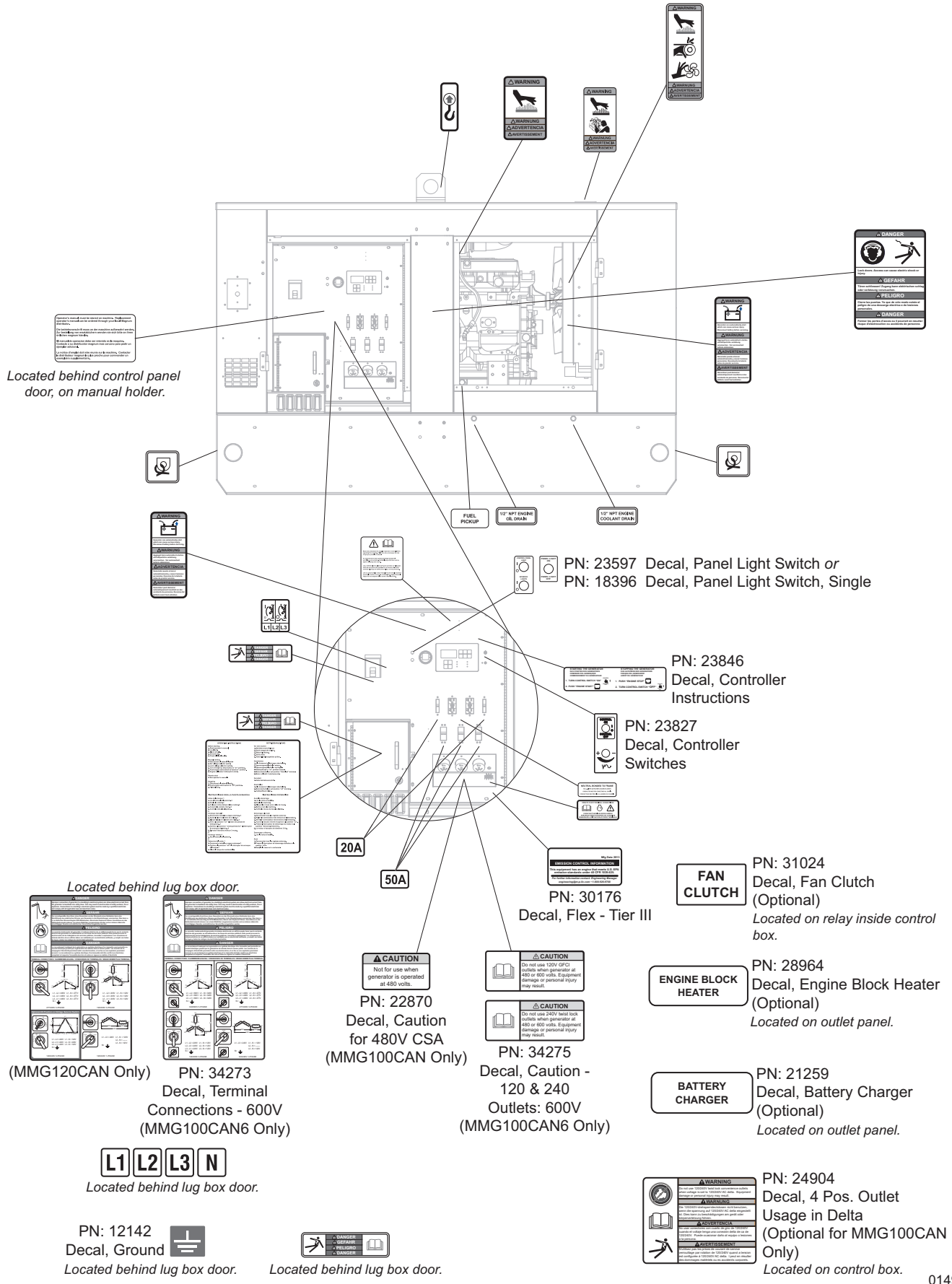
Note: All safety and operating decals are located on decal sheet 23599, unless otherwise noted.

UNIT DECALS - LEFT SIDE - MMG100CAN, MMG100CAN6



Note: All safety and operating decals are located on decal sheet 23599, unless otherwise noted.

UNIT DECALS - RIGHT SIDE - MMG100CAN, MMG100CAN6



Located behind control panel door, on manual holder.

Located behind lug box door.

Located behind lug box door.

PN: 12142
Decal, Ground
Located behind lug box door.

Located behind lug box door.

PN: 23597 Decal, Panel Light Switch or
PN: 18396 Decal, Panel Light Switch, Single

PN: 23846
Decal, Controller Instructions

PN: 23827
Decal, Controller Switches

PN: 30176
Decal, Flex - Tier III

FAN CLUTCH
PN: 31024
Decal, Fan Clutch (Optional)
Located on relay inside control box.

ENGINE BLOCK HEATER
PN: 28964
Decal, Engine Block Heater (Optional)
Located on outlet panel.

BATTERY CHARGER
PN: 21259
Decal, Battery Charger (Optional)
Located on outlet panel.

PN: 24904
Decal, 4 Pos. Outlet Usage in Delta (Optional for MMG100CAN Only)
Located on control box.

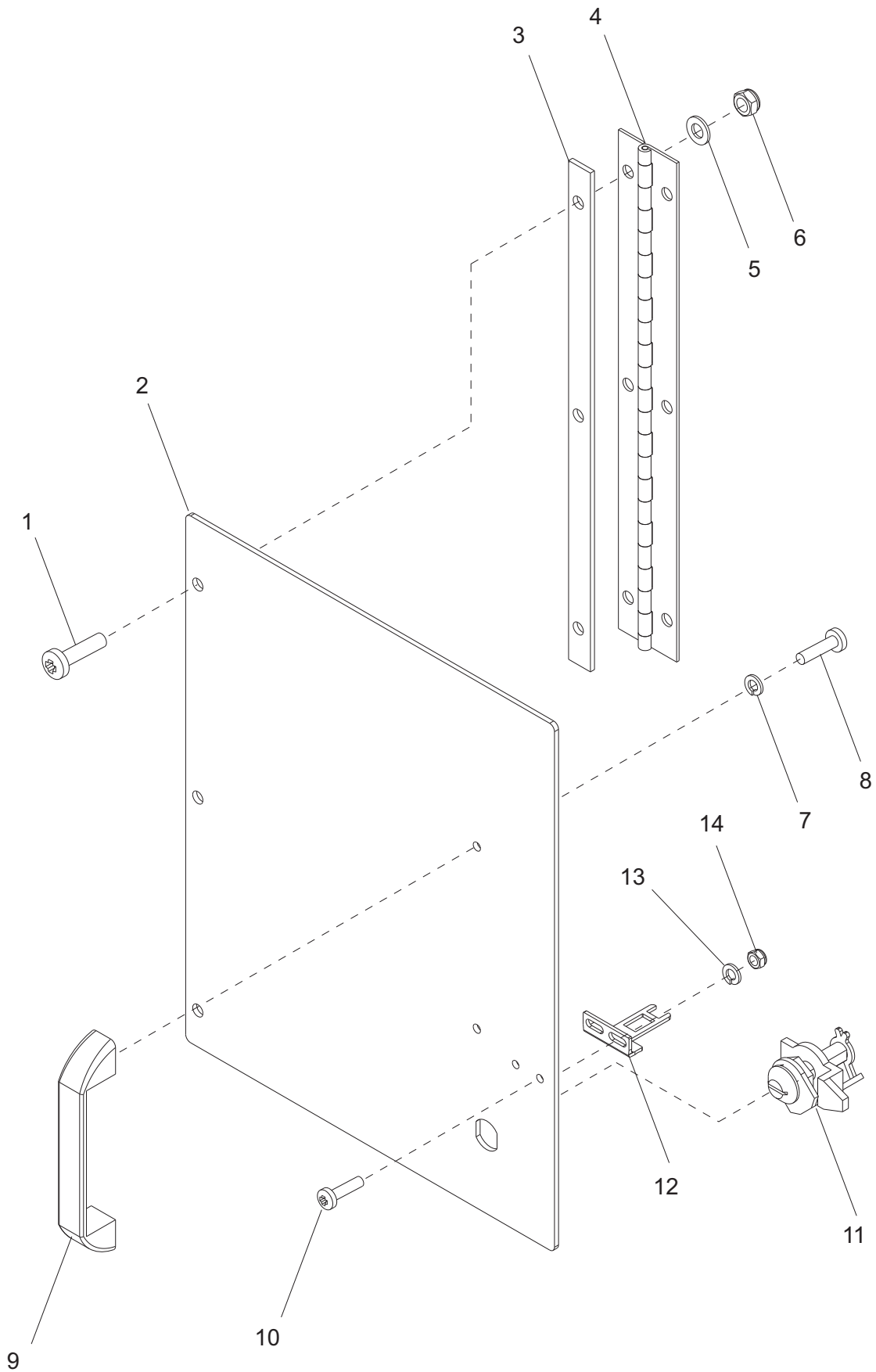
(MMG120CAN Only) PN: 34273
Decal, Terminal Connections - 600V (MMG100CAN6 Only)

PN: 22870
Decal, Caution for 480V CSA (MMG100CAN Only)

PN: 34275
Decal, Caution - 120 & 240 Outlets: 600V (MMG100CAN6 Only)

Note: All safety and operating decals are located on decal sheet 23599, unless otherwise noted.

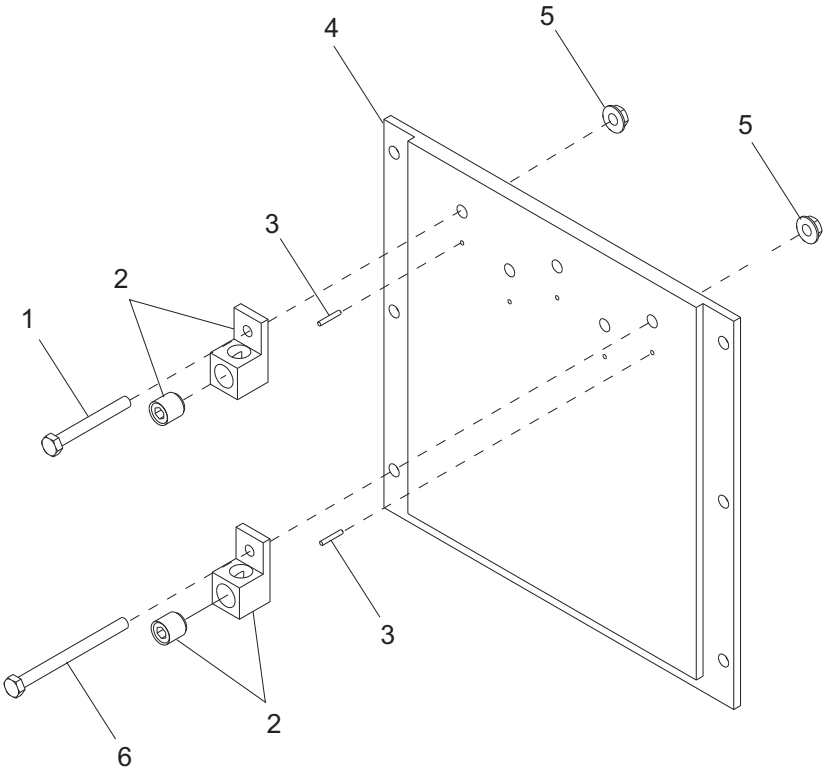
LUG BOX DOOR ASSEMBLY



LUG BOX DOOR ASSEMBLY

ITEM	PART NO.	QTY	DESCRIPTION	NOTES
1	60398	3	Screw, 10-32 x.50 pan phil	
2	20681W	1	Door, lug	
3	20684W	1	Spacer, hinge - lug door	
4	18746	1	Hinge, lug door - 11.125 in	
5	60237	3	Washer, #10 flat .495/.036	
6	61045	3	Nut, 10-32 sflg	
7	60252	2	Washer, #10 split lock	
8	60068	2	Screw, 10-24 x .500 pan phil	
9	18893	1	Handle, lug door	
10	60526	2	Screw, 8-32 x .500 pan phil	
11	20762	1	Lock, door - 1/4 turn cam	
12	18112	1	Key, lockout switch (90°)	
13	60269	2	Washer, #8 flat .433/.036	
14	60318	2	Nut, 8-32 hex G5	

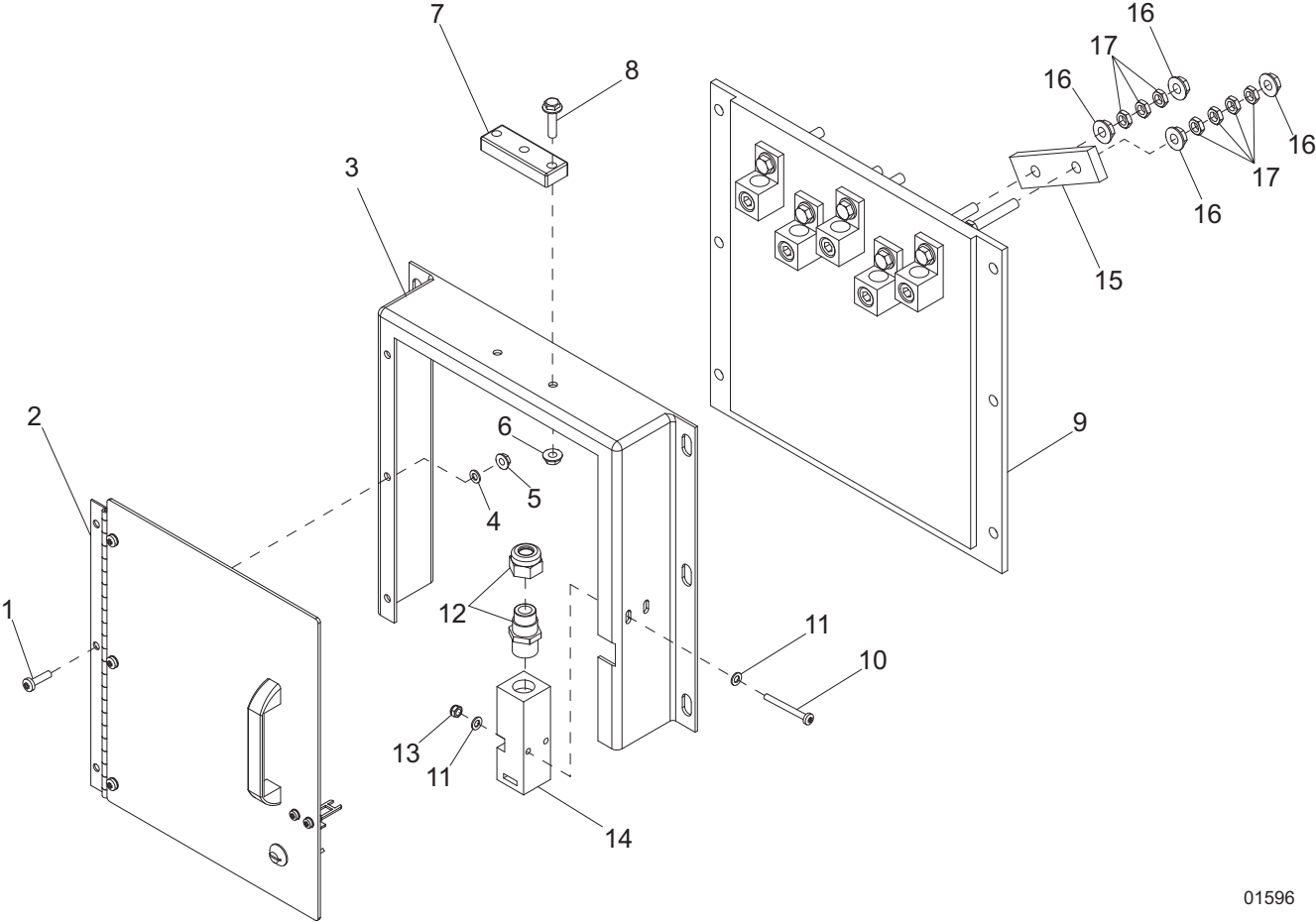
LUG PLATE ASSEMBLY



LUG PLATE ASSEMBLY

ITEM	PART NO.	QTY	DESCRIPTION	NOTES
1	60737	3	Screw, .312-18 x 2.5 in. std hx	
2	65344	5	Lug, terminal 350MCM	
3	60048	5	Pin, roll .125 x .625	
4	18613	1	Plate, glastic	
5	60095	5	Nut, .312-18 sflg case hard	
6	60404	2	Screw, .312-18 x 4 in. std hex	

LUG BOX ASSEMBLY

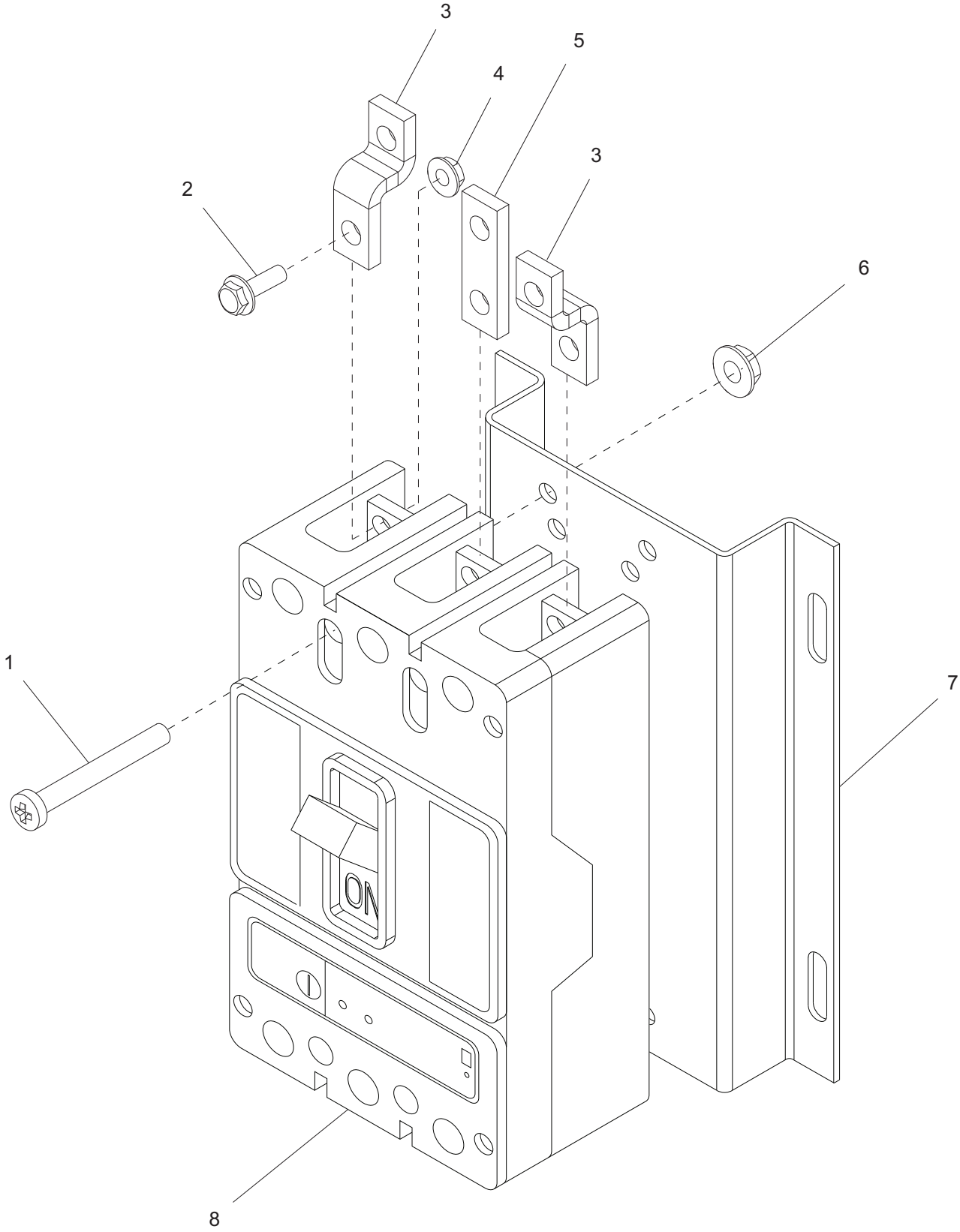


01596

LUG BOX ASSEMBLY

ITEM	PART NO.	QTY	DESCRIPTION	NOTES
1	60398	3	Screw, 10-32 x .5 in. pan phil	
2	Page 10	1	Assembly, lug door	
3	20680W	1	Panel, lug box	
4	60237	3	Washer, #10 flat .495/.036	
5	61045	3	Nut, 10-32 sflg	
6	60161	2	Nut, .250-20 sflg	
7	18936Z	1	Bracket, door prop	
8	60479	2	Screw, .250-20 x 1 in. sflg hex	
9	Page 12	1	Assembly, lug plate	
10	60525	2	Screw, 8-32 x 1.50 pan phil	
11	60269	4	Washer, #8 flat .433/.036	
12	15864	1	Strain relief-.50NPT watertight	
13	60270	2	Nut, 8-32 nylock	
14	18111	1	Switch, lockout (1 NO)(1 NC)	
15	19410	1	Connector, LO to grnd	
16	60095	4	Nut, .312-18 sflg case hard	
17	60285	7	Nut, .312-18 hex	

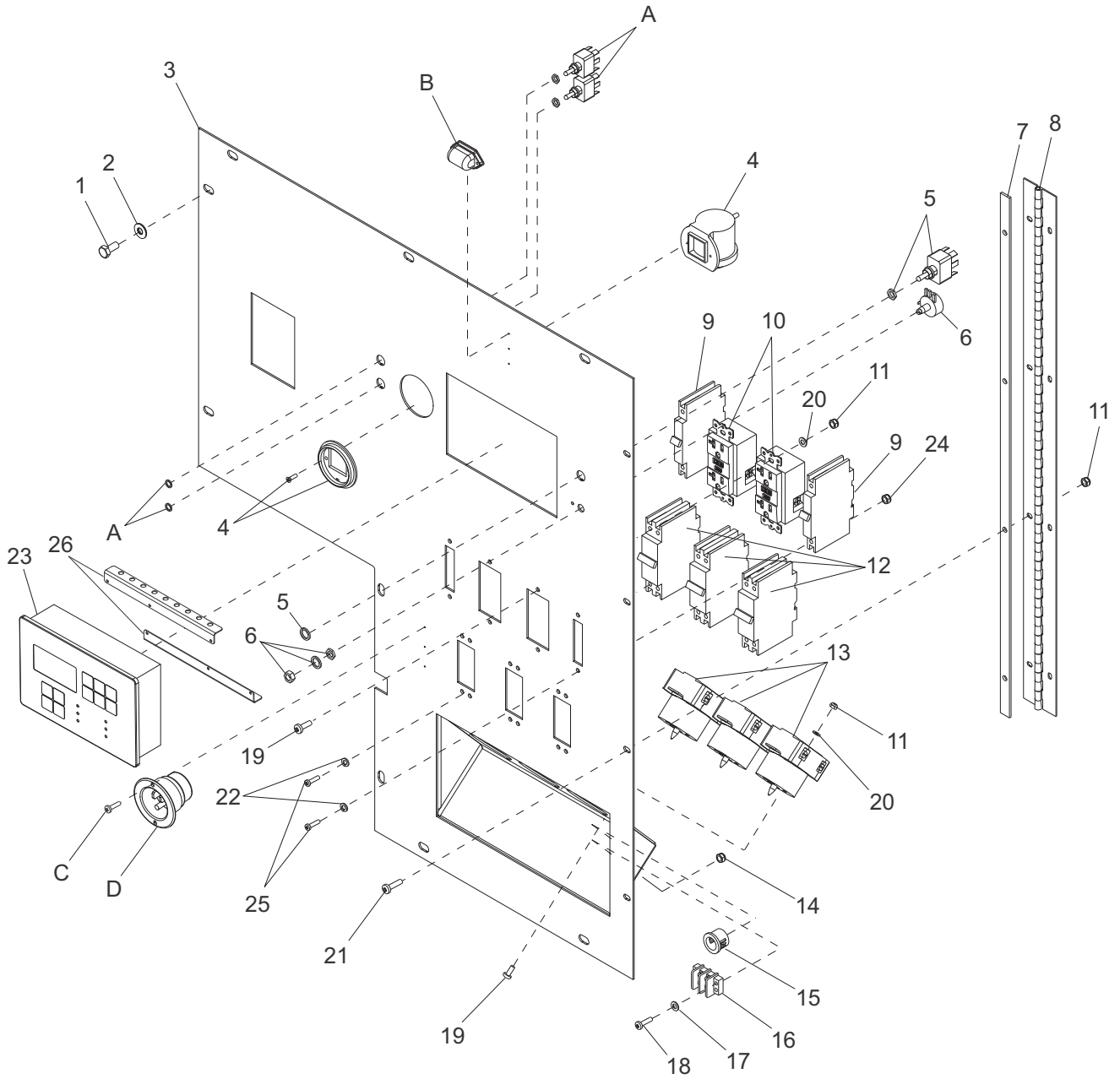
CIRCUIT BREAKER ASSEMBLY



CIRCUIT BREAKER ASSEMBLY

ITEM	PART NO.	QTY	DESCRIPTION	NOTES
1	60143	4	Screw, .250-20 x 2 in. pan phil	
2	61091	6	Screw, .312-18 x 1 in. sflg hex	
3	65292	2	Bus, 400A brkr connection	
4	60095	6	Nut, .312-18 sflg case hard	
5	65291	1	Bus, 400A brkr connection	
6	60161	4	Nut, .250-20 sflg	
7	18019B	1	Bracket, breaker mounting	
8	65383	1	Breaker, 400A, 12-24VDC	Shunt trip

CONTROL PANEL ASSEMBLY



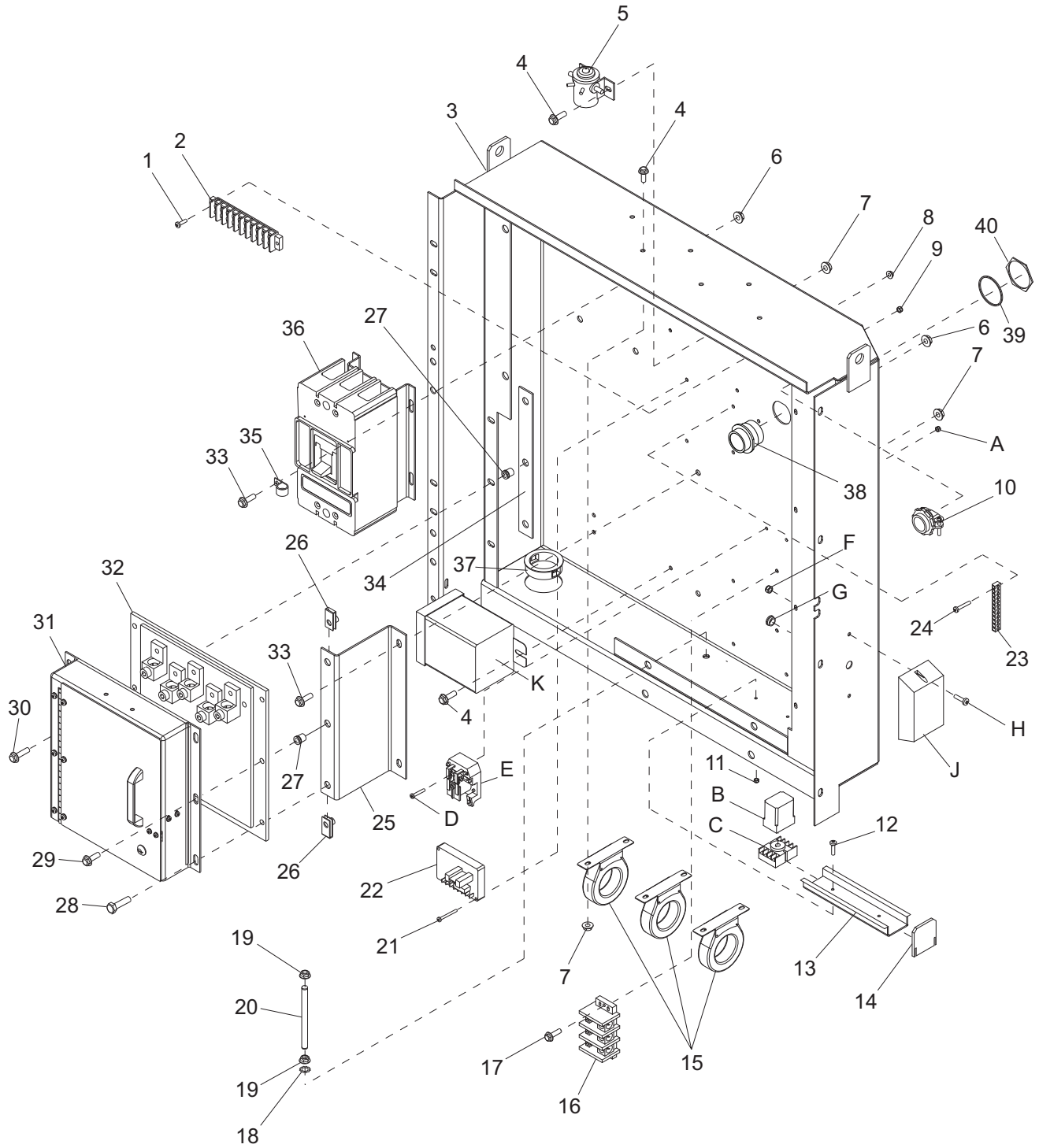
CONTROL PANEL ASSEMBLY

ITEM	PART NO.	QTY	DESCRIPTION	NOTES
1	60507	9	Screw, .312-18 x 1 in. hx	
2	60452	9	Washer, .313 flat bond seal	
3	23834W	1	Weldment, control panel	
4	18609	1	Kit, filter minder gauge	
5	25077	1	Switch, toggle SPST 20A VAC	
6	18113	1	Potentiometer 2.5K 2 watt	
7	22209W	1	Spacer, hinge, left	
8	22208	1	Hinge, lft - 28.00	
9	18091	2	Breaker, 20A 240V 1-pole	
10	14130	2	Receptacle, 120V 20A GFI	
11	60457	14	Nut, 10-24 nylock	
12	18092	3	Breaker, 50A, 240V, 2-pole	
13	18089	3	Receptacle, 120/240V 50A	Twist lock
14	60270	2	Nut, 8-32 nylock	
15	19163	1	Bushing, .500 x .375 ID	
16	18890	1	Block, terminal, 2-pos	
17	60269	2	Washer, #8 flat .433/.036	
18	60406	2	Screw, 8-32 x 1 in. pan phil	
19	60068	10	Screw, 10-24 x .5 in. pan phil	
20	60237	10	Washer, #10 flat .495/.036	
21	60524	4	Screw, 10-24 x .625 pan phil	
22	60058	16	Washer, split lock #6	
23	66187	1	Controller, programmed	
24	60728	4	Nut, 6-32 nylock	
25	60046	16	Screw, 6-32 x .75 pan phil	
--	18934	1	Decal, potentiometer guard	

OPTIONAL FEATURES

A	25077	2	Switch, toggle SPST 20A VAC
B	23025	1	Light, interior control panel
C	60480	2	Screw, 10-16 x .75 pan phil
D	65285	1	Receptacle, 120V/15A inlet

CONTROL BOX ASSEMBLY



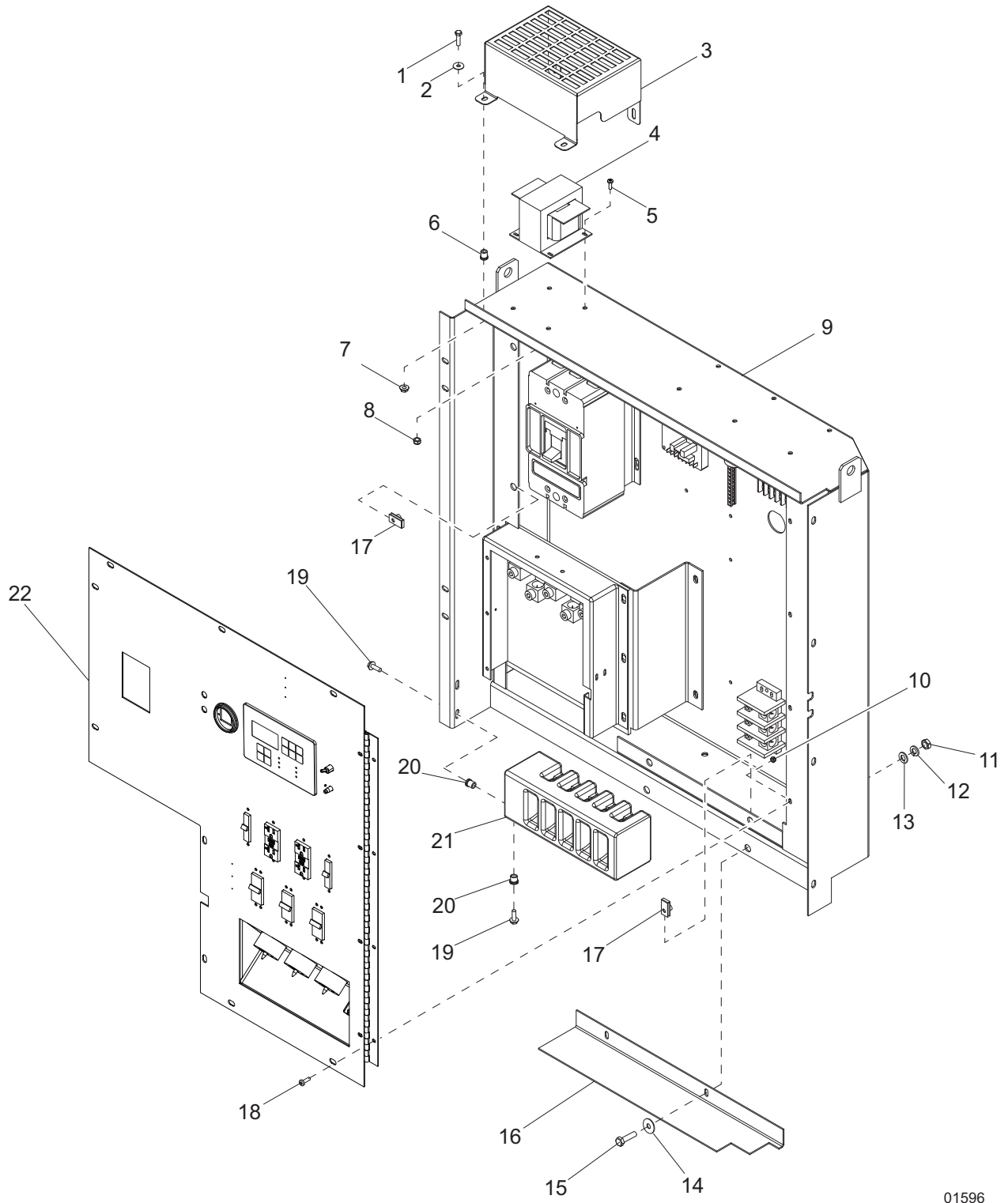
CONTROL BOX ASSEMBLY

ITEM	PART NO.	QTY	DESCRIPTION	NOTES
1	60062	2	Screw, 10-32 x .75 pan phil	
2	14203	1	Block, terminal - 10 pos.	
3	26326B	1	Weldment, control box	
4	60175	10	Screw, .250-20 x .5 sflg	
5	18081	1	Relay, 65A SPST 12VDC	Ignition solenoid
6	60095	6	Nut, .312-18 sflg	
7	60161	10	Nut, .250-20 sflg	
8	61045	2	Nut, 10-32 sflg	
9	60457	2	Nut, 10-24 nylock	
10	14202	1	Strain relief- .375	
11	60415	2	Nut, 10-32 nylock	
12	60398	2	Screw, 10-32 x .5 pan phil	
13	66003	1	Rail, din 35MM x 6 in	
	67129	1	Rail, din 35MM x 7 in	MMG100CAN,CAN6
14	65674	2	Stop, 35MM din rail end	
15	65443	3	Transformer, current (500:5A)	
16	65356	1	Block, terminal - 3 pole	
17	60479	2	Screw, .250-20 x 1 in. sflg	
18	60069	1	Washer, M8 ext star	
19	60020	2	Nut, M8-1.25 sflg G8.8 lock	
20	18992	1	Stud, ground	
21	60406	2	Screw, 8-32 x 1 in. pan phil	
22	18556	1	Regulator, voltage - SE350	
23	14204	1	Kit, ground bar	
24	60406	2	Screw, 8-32 x 1 in. pan phil	
25	23081B	1	Bracket, glastic plate	
26	60505	2	Nut, .312-18 U-clip	
27	62133	4	Insert, threaded .312-18 splined	
28	60507	2	Screw, .312-18 x 1 hex	
29	60009	1	Screw, M8-1.25 x 25 sflg	
30	60160	3	Screw, M8-1.25 x 30 sflg	
31	Page 14	1	Assembly, lug door/panel	
32	Page 12	1	Assembly, plate - lug	
33	61091	6	Screw, .312-18 x 1.00 sflg	
34	19267B	1	Plate, glastic bracket	
35	15627	1	Clamp, tubing - .625	
36	Page 16	1	Assembly, circuit breaker	
37	18496	1	Bushing-2.5OD x 2.0ID	
38	65309	1	Connector, 21 pin, Deutsch	
39	65417	1	Washer, lock, 21 pin Deutsch	
40	65416	1	Nut, Deutsch 21 pin plug	
--	29893	1	Bracket, control board wire guide	

OPTIONAL FEATURES

A	60061	2	Nut, 10-32 nyloc
B	65645	1	Relay, voltage sensing
C	65644	1	Base, relay - 8 pos.
D	60355	2	Screw, M4 -.70 x .25 pan phil
E	65461	1	Relay, 30A DPDT 120VAC
F	60457	2	Nut, 10-24 nylock
G	19163	1	Bushing-.5OD x .375ID
H	60524	2	Screw, 10-24 x .625 pan phil
J	65326	1	Battery charger-2A, 3 stage
K	21487	1	Transformer, 1.13:1 (buck)

CONTROL PANEL AND BOX ASSEMBLY

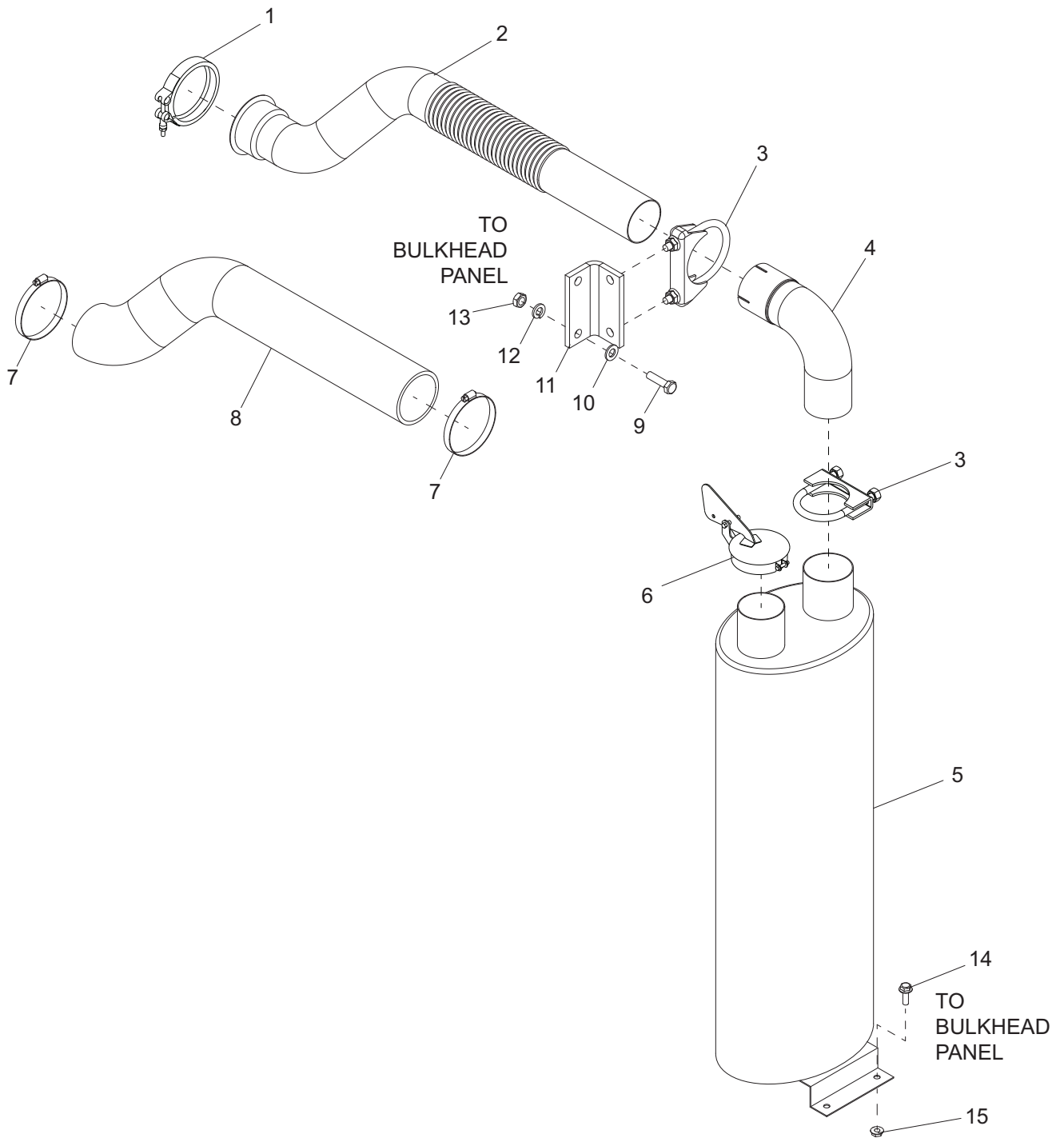


01596

CONTROL PANEL AND BOX ASSEMBLY

ITEM	PART NO.	QTY	DESCRIPTION	NOTES
1	60281	4	Screw, .250-20 x .75 std hex G5	MMG100CAN6 only
2	60243	2	Washer, .250 flat	MMG100CAN6 only
3	39980	1	Cover, box	MMG100CAN6 only
4	66109	1	Transformer, 600V dedicated gen	MMG100CAN6 only
5	60398	4	Screw, 10-32 x .50 pan phil	MMG100CAN6 only
6	62132	2	Insert, threaded .250-20 splined	MMG100CAN6 only
7	63075	2	Nut, .250-20 flg nylockG5	MMG100CAN6 only
8	60415	4	Nut, 10-32 nylock	MMG100CAN6 only
9	<i>Page 20</i>	1	Assembly, control box	
10	60457	4	Nut, 10-24 nylock	
11	60285	2	Nut, .312-18 hex	
12	60271	2	Washer, .312 split lock	
13	60340	2	Washer, .312 flat .875/.04	
14	60452	2	Washer, flat .313 x 1.125	Bonded rubber
15	60507	2	Screw, .312-18 x 1 in. std hx	
16	23143B	1	Panel, wire guide	
17	60505	7	Nut, u-clip .312-18	
18	60524	4	Screw, 10-24 x .625 pan phil	
19	60024	5	Screw, M6 x 1.0 x 25 sflg	
20	60023	5	Insert, M6 threaded	
21	19201	1	Guide, cables	
22	<i>Page 18</i>	1	Assembly, control panel	

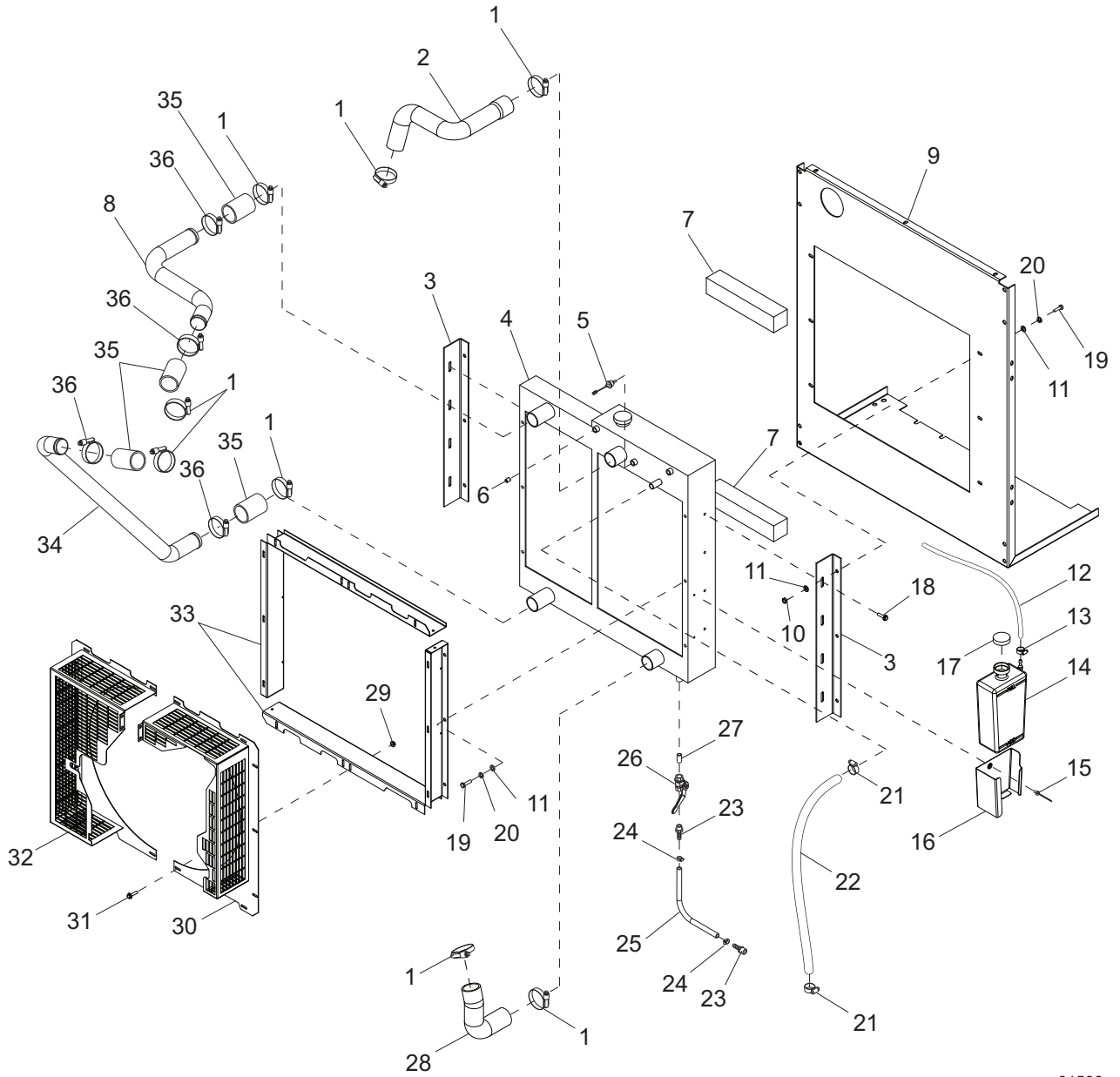
EXHAUST SYSTEM ASSEMBLY



EXHAUST SYSTEM ASSEMBLY

ITEM	PART NO.	QTY	DESCRIPTION	NOTES
1	18820	1	Clamp, V-band - 4.00	
2	26230	1	Exhaust pipe, turbo outlet	
3	18821	2	Clamp, muffler - 3.00	
4	26469	1	Exhaust pipe, 3.00 - 90°	
5	26378	1	Muffler, 75-100 T3	
6	21089	1	Cap, rain - 3.00	
7	18663	2	Clamp, hose	
8	26479	4 ft.	Sleeve, high temp - 3.00	
9	61036	2	Screw, .375-16 x 1.25 std hex	
10	60698	2	Washer, .375 flat .875/.040	
11	26721B	1	Bracket, muffler support	
12	60206	2	Washer, .375 split lock	
13	60140	2	Nut, .375-16 hex G5	
14	60353	2	Screw, .375-16 x 1 in. flg hex	
15	60145	2	Nut, .375-16 sflg G5 lock	

COOLING SYSTEM ASSEMBLY

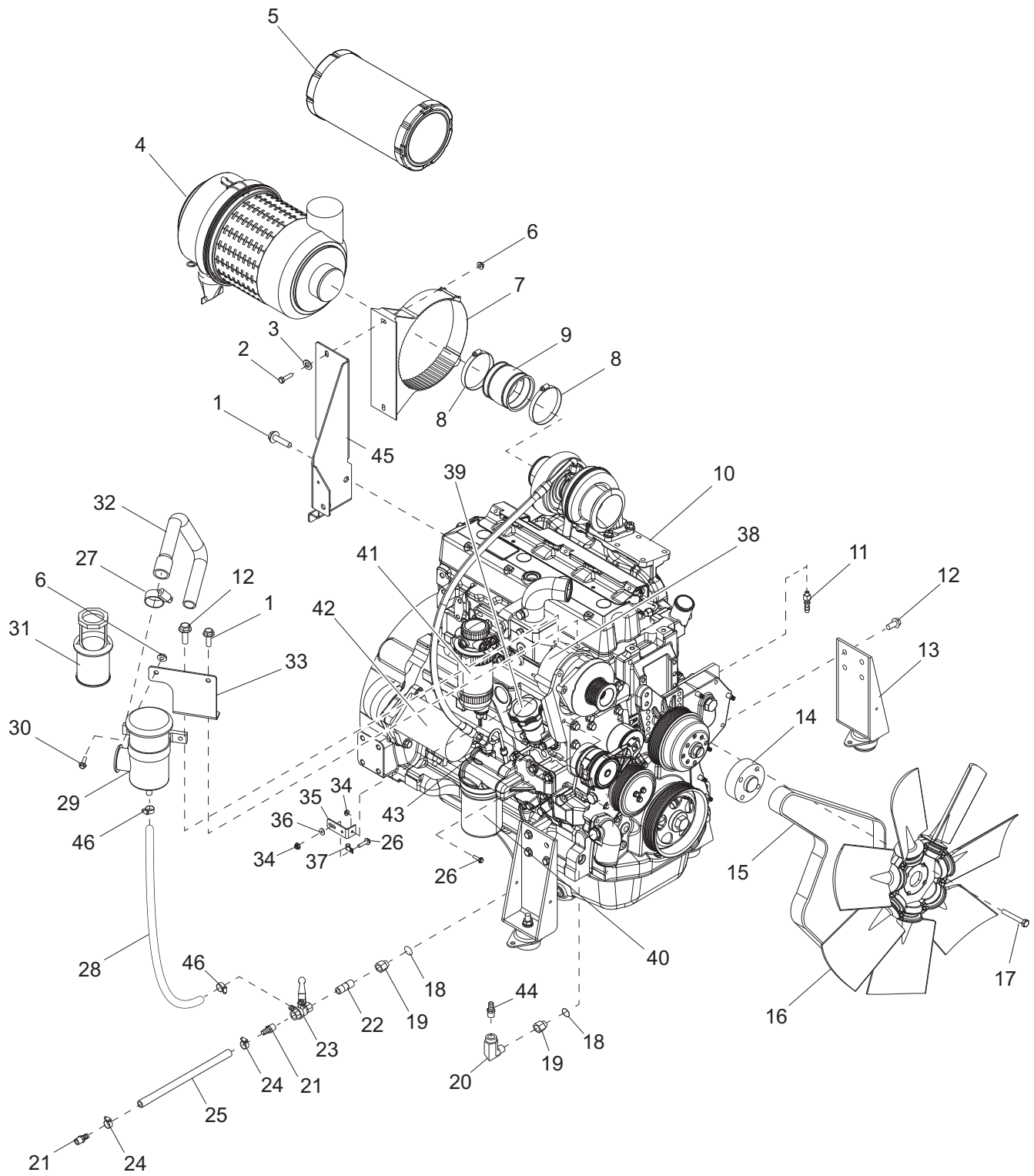


01598

COOLING SYSTEM ASSEMBLY

ITEM	PART NO.	QTY	DESCRIPTION	NOTES
1	60660	8	Clamp, hose - 1.75-2.625	Constant torque
2	26468	1	Hose, radiator - upper	
3	26296B	2	Bracket, radiator	
4	26221	1	Radiator, Tier III	
5	65592	1	Sensor, low coolant	
6	18394	2	Fitting, plug-.500NPT hex	
7	26724	2	Foam, CAC sealing	Top/bottom
8	26232	1	Pipe, CAC inlet	
9	26420B	1	Panel, bulkhead	
10	60285	6	Nut, .312-18 hex	
11	60119	18	Washer, .312 flat .875/.070	
12	50018	1.73 ft.	Hose, fuel - .312 ID	
13	14216	1	Clamp, hose - SAE 004	
14	24952	1	Jug, overflow 2.5 qt.	
15	60268	2	Rivet, .188 dia	
16	26211B	1	Bracket, overflow jug	
17	19714	1	Cap, overflow bottle	
18	60451	8	Screw, .375-16 x .625 flg hex	
19	60168	12	Screw, .312-18 x .750 std hex	
20	60271	12	Washer, .312 split lock	
21	19338	2	Clamp, hose - SAE 016	
22	50170	3 ft.	Hose, .750 in. Class A	
23	60502	2	Fitting, strt - .5MNPT x .625 barb	
24	60365	2	Clamp, hose - SAE 010	
25	50201	.65 ft.	Hose, coolant - .625 I.D.	
26	19279	1	Valve, ball .500NPTF	
27	60438	1	Fitting, nipple-.500NPT x close	
28	26295	1	Hose, radiator - lower	
29	60161	14	Nut, .250-20 sflg G5	
30	26299B	1	Weldment, fan guard - rht	
31	60175	14	Screw, .250-20 x .500 sflg hex	
32	26300B	1	Weldment, fan guard - left	
33	26292B	2	Radiator shroud	
34	26231	1	Pipe, CAC outlet	
35	28540	4	Hose, CAC - 2 x 4 long	
36	60316	4	Clamp, hose - 1.56-2.5	

ENGINE ASSEMBLY



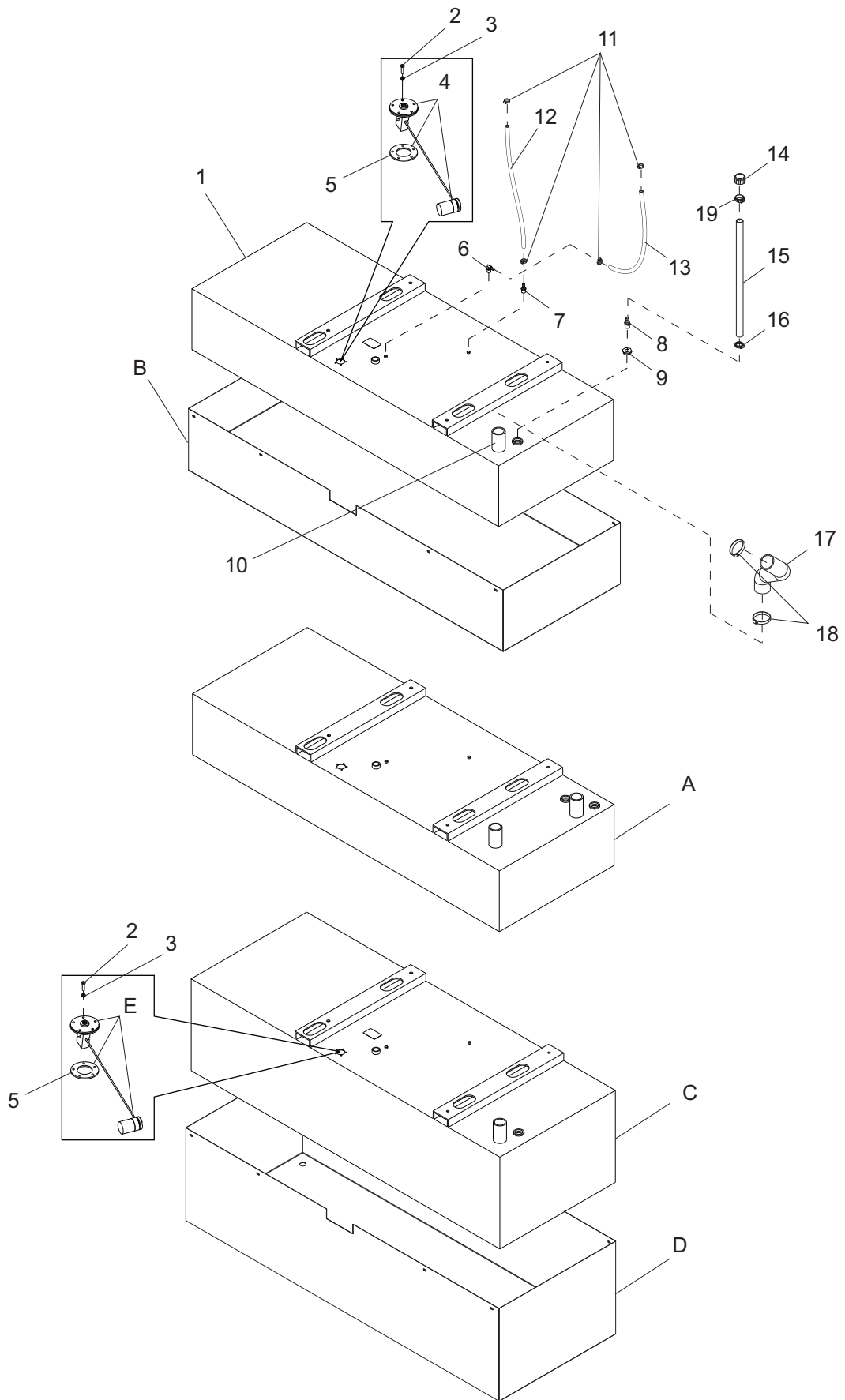
01599

ENGINE ASSEMBLY

ITEM	PART NO.	QTY	DESCRIPTION	NOTES
1	60018	3	Screw, M10-1.25 x 20 sflg	
2	60256	2	Screw, .312-18 x 1.5 hex	
3	60119	2	Washer, .312 flat .875/.070	
4	26465	1	Filter, air cleaner	
5	26722	1	Element, air filter	
6	60095	5	Nut, .312-18 sflg	
7	26466	1	Clamp, air filter	
8	18663	2	Clamp, hose - SAE 060	
9	26467	1	Hose, air inlet - 3 in. ID x 3 in. M10	
10	24862	1	Engine, Deere 4045HF285	
11	19268	1	Fitting, fuel return	
12	60072	7	Screw, M12-1.75 x 25 sflg G10.9	
13	Page 36	2	Assembly, engine mount	
14	19818	1	Spacer, fan	
15	26723	1	Belt, fan - 100	
16	26494	1	Fan, engine - 23 in	
17	60152	4	Screw, M10-1.50 x 60 hx G8.8	
18	19466	2	Seal, M18	
19	19257	2	Fitting, strt-.500MNPT x M18	
20	22462	1	Fitting, 90°-.500FNPT brass	
21	60502	2	Fitting, strt-.500MNPT x .625	
22	60438	1	Fitting, nipple, .50NPT x close	
23	61165	1	Valve, ball .500NPTF	
24	60365	2	Clamp, hose - SAE 010	
25	50201	.83 ft.	Hose, coolant - .625 I.D.	
26	61091	2	Screw, .312-18 x 1.00 sflg	
27	19338	2	Clamp, hose - SAE 016	
28	50051	1.83 ft.	Hose, fuel .375ID 50psi	
29	24318	1	Kit, oil recirculation	
30	61091	2	Screw, .312-18 x 1.00 sflg	
31	24552	1	Filter, oil recirculation	
32	24170	1	Hose, OCV vent	
33	26570B	1	Bracket, OCV system	
34	60095	2	Nut, .312-18 sflg	
35	11131B	1	Bracket, manual holder	
36	60119	1	Washer, .312 flat .875/.070	
37	60716	1	Clamp, tubing - 1.50 lt duty	
38	23346	1	Alternator, 4045TF275	
39	22375	1	Cap, engine oil fill (w/gasket)	
40	26817	1	Filter, oil	
41	26597	1	Filter, fuel - primary	
42	26818	1	Starter, engine	
43	26600	1	Dipstick, oil fill	
44	60437	1	Fitting, strt-.500NPT x .750	
45	26496B	1	Bracket, air filter	
46	19453	2	Clamp, hose - SAE 006	
--	24061	1	Thermostat, engine 4045TF	
--	26236	1	Filter, fuel - final	

Note: Engine and generator parts used in all Generac Mobile Products, LLC equipment carry the Original Equipment Manufacturer (OEM) warranty unless otherwise stated. OEM warranty parts must be purchased through an OEM dealer. Please contact Generac Mobile Products, LLC with questions.

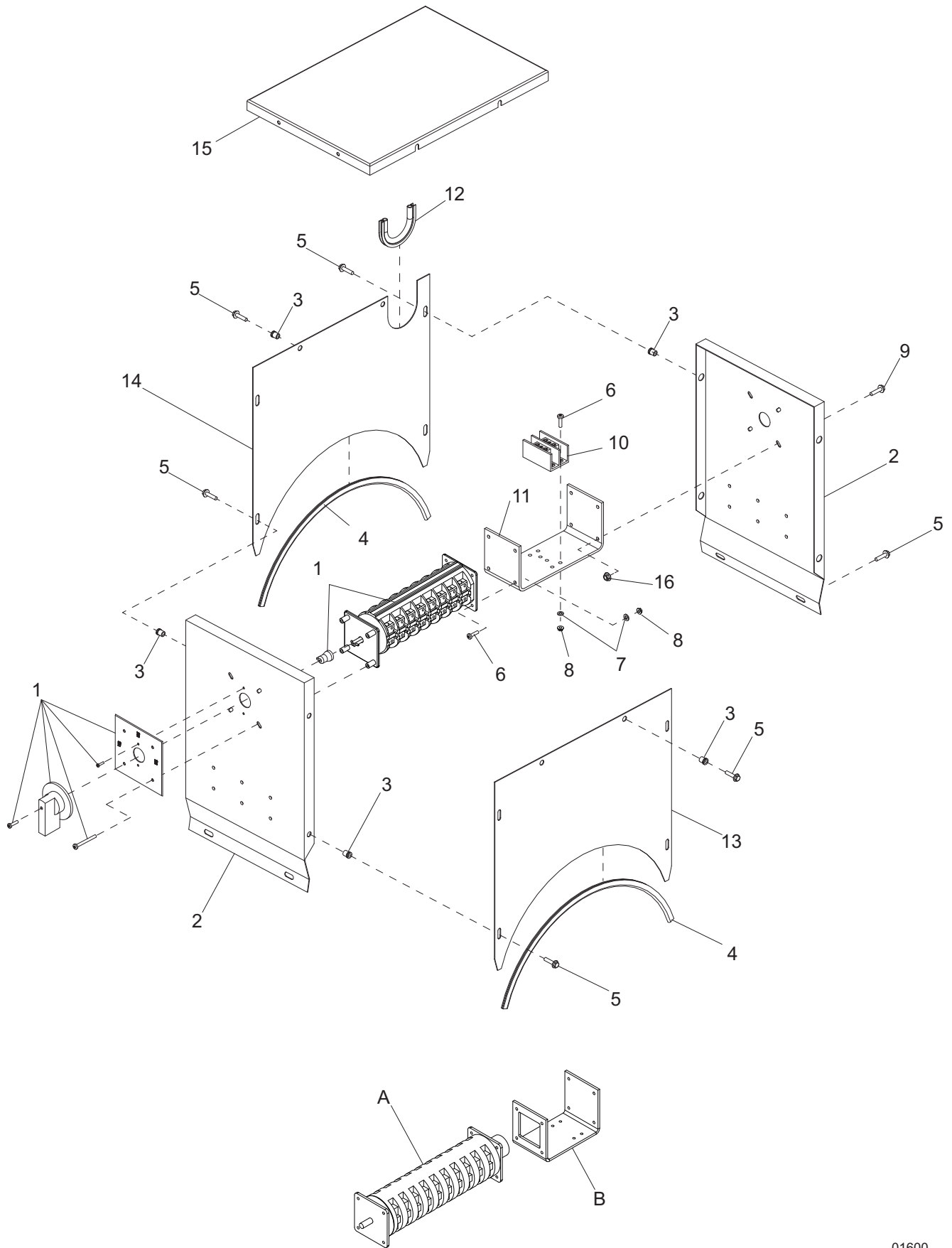
FUEL TANK ASSEMBLY



FUEL TANK ASSEMBLY

ITEM	PART NO.	QTY	DESCRIPTION	NOTES
1	22880B	1	Tank, fuel	
2	60062	5	Screw, 10-32 x .750 pan phil	
3	60252	5	Washer, #10 split lock	
4	20571	1	Sender, fuel - 10-15 in. tank	
5	22323	1	Gasket, fuel sending unit	
6	19295	1	Fitting, 90°-.250MNPT x .25	
7	19180	1	Fitting, strt -.375MNPT x .312	
8	25496	1	Fitting, strt -.750MNPT x 1 in	
9	22725	1	Fitting, strt -1.5MNPT x .75FNPT	
10	19778	1	Fitting, nipple, pipe-2 in. NPT x 4 in	
11	14216	4	Clamp, hose - SAE 004	
12	50018	3 ft.	Hose, .312ID 50PSI	
13	50018	3.41 ft.	Hose, .312ID 50PSI	
14	26379	1	Vent, plastic fuel 1.00 I.D	
15	50169	3.83 ft.	Hose, 1.00 in	
16	19338	1	Clamp, hose - SAE 016	
17	18301	1	Hose, fuel fill	
18	60316	2	Clamp, hose - SAE 32	
19	62040	1	Clamp, hose - 1.5 fuel hose	Crimp style
OPTIONAL FEATURES				
A	23447B	1	Tank, fuel - 100 gal. dbl wall	
B	23451B	1	Pan, 24 hr containment	
C	23093B	1	Tank, fuel (36 hr run)	
D	23493B	1	Pan, 36 hour containment	
E	21206	1	Sender, fuel - 15.5-24 in.RH	

GENERATOR BOX ASSEMBLY

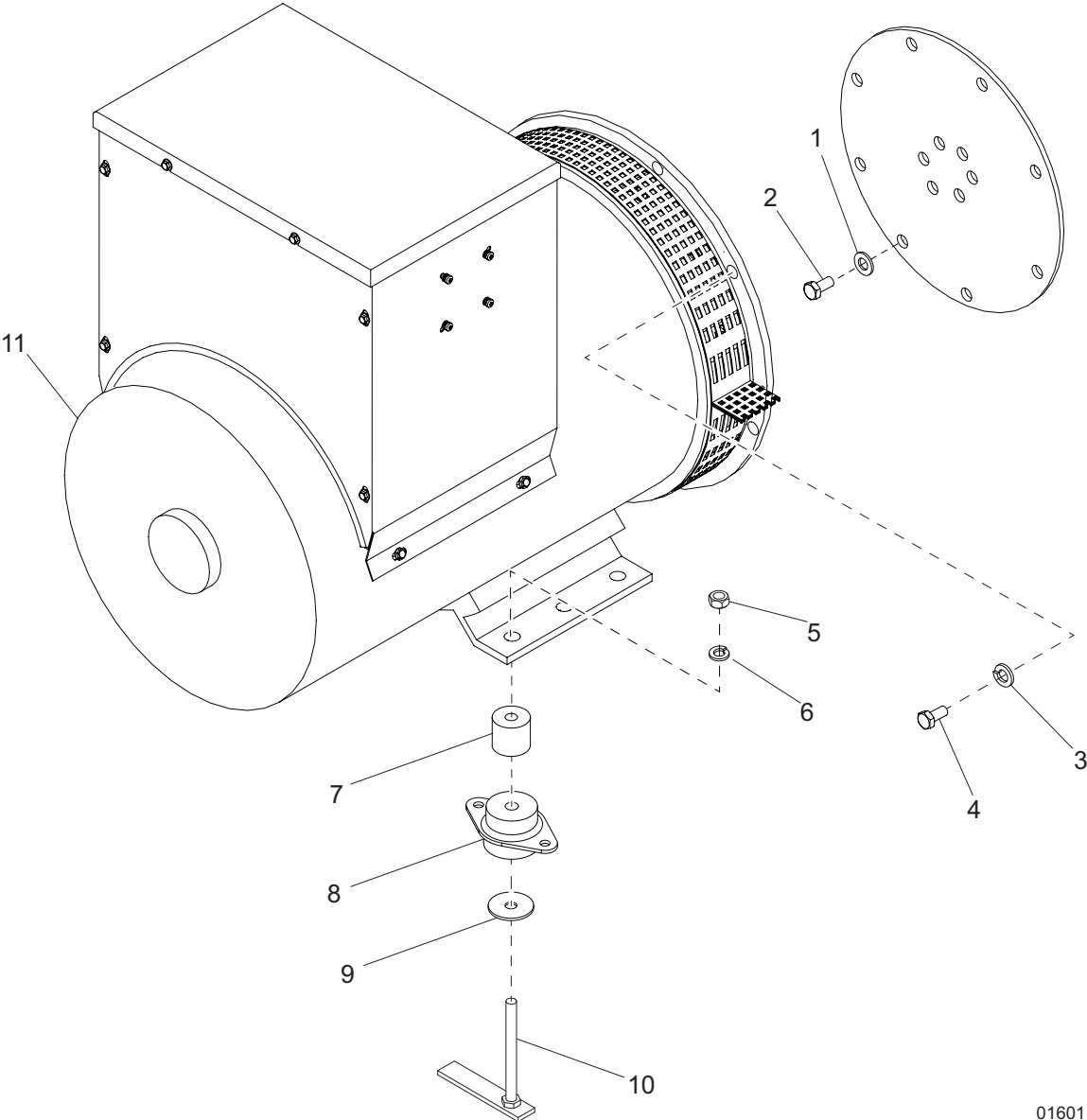


01600

GENERATOR BOX ASSEMBLY

ITEM	PART NO.	QTY	DESCRIPTION	NOTES
1	65500	1	Switch, phase - 125A, 3-pos	
2	18763B	2	Panel, side generator box	
3	60023	12	Insert, M6 threaded	
4	19046	2	Seal, generator box	
5	60115	16	Screw, M6 x 1.0 x 12 hx sflg	
6	60062	4	Screw, 10-32 x .750	
7	60237	8	Washer, #10 flat	
8	61045	4	Nut, 10-32 sflg	
9	60528	4	Screw, .250-20 x .625 sflg hx	
10	19368	1	Block, terminal - 2 pole lug	
11	23395B	1	Bracket, phase switch	
12	19222	1	Seal, generator box	
13	18769B	1	Panel, gen box rear	
14	18772B	1	Panel, front generator box	
15	18775B	1	Panel, top generator box	
16	60161	4	Nut, .250-20 sflg	
OPTIONAL FEATURES				
A	65667	1	Switch, phase - 125A	Option: 4-pos (YyDZ)
B	28512B	1	Bracket, phase switch	Option: 4-pos (YyDZ)

GENERATOR ASSEMBLY



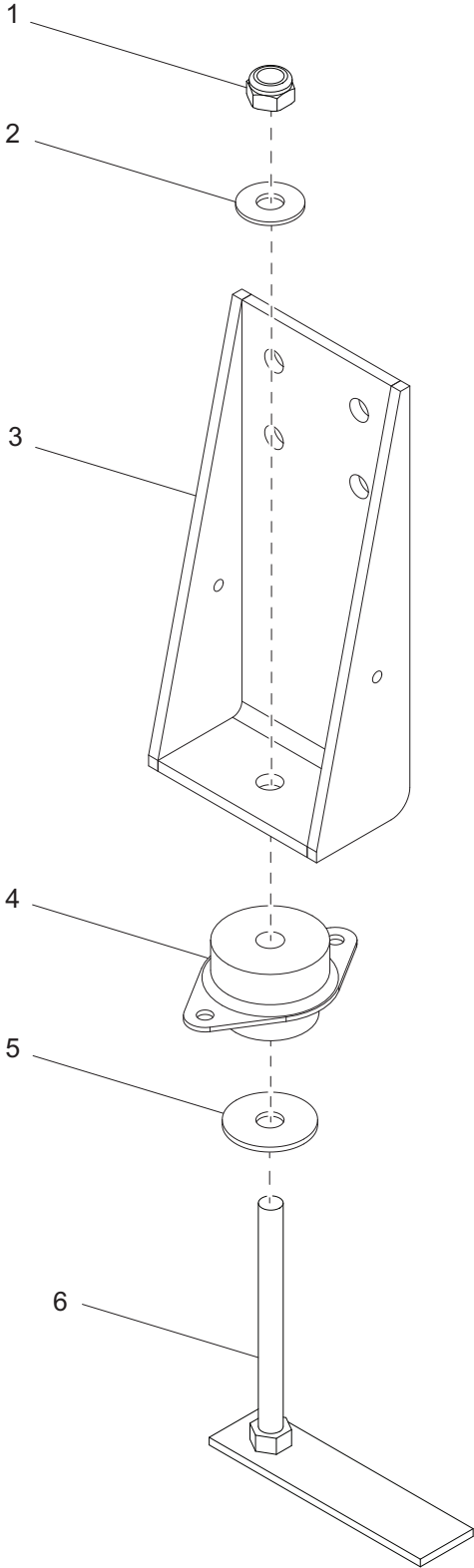
01601

GENERATOR ASSEMBLY

ITEM	PART NO.	QTY	DESCRIPTION	NOTES
1	60151	8	Washer, flat .375	
2	60179	8	Screw, .375-16 x .750 hx hd	
3	60026	12	Washer, M10 splt lockDIN127	
4	60055	12	Screw, M10 x 1.25 x 35 hx hd	
5	61093	2	Nut, .500-13 hex G8 ZB	
6	61095	2	Washer, .500 split lock ZB	
7	18060B	2	Spacer, generator	
8	18083	2	Shock mount, rubber	
9	18085	2	Washer, snub - 2 in. OD .51ID	
10	26930	2	Weldment, anti-turn bolt 1/2 in. x 5.50	
11	18076	1	Generator, 362PSL1606	
--	22098	-	Generator, 363PSL1607	Option: Super Start (not shown)

Note: Engine and generator parts used in all Generac Mobile Products, LLC equipment carry the Original Equipment Manufacturer (OEM) warranty unless otherwise stated. OEM warranty parts must be purchased through an OEM dealer. Please contact Generac Mobile Products, LLC with questions.

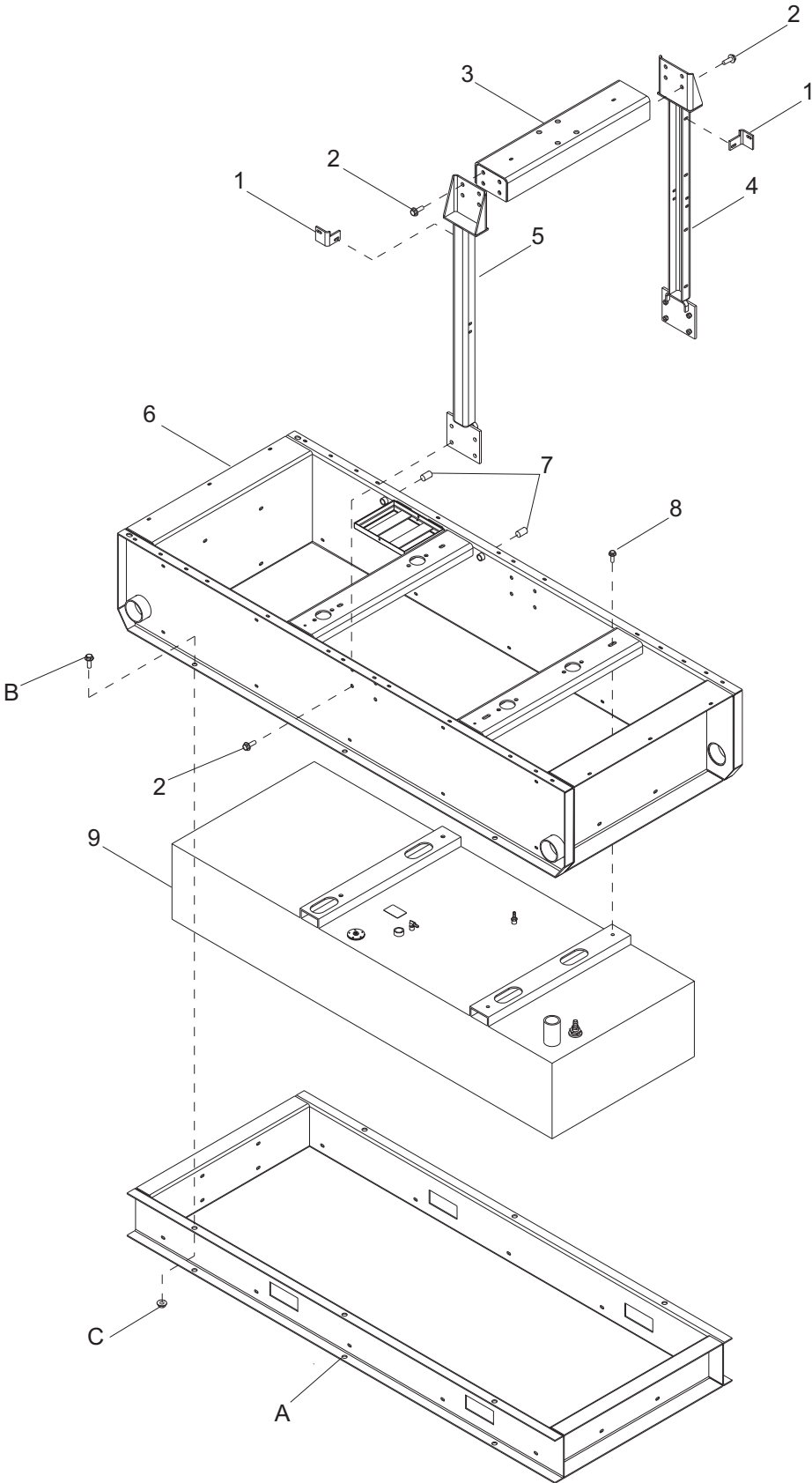
ENGINE MOUNT ASSEMBLY



ENGINE MOUNT ASSEMBLY

ITEM	PART NO.	QTY	DESCRIPTION	NOTES
1	62221	1	Nut, .500-13 nylock G8	
2	60416	1	Washer, .500 flat 1.375/.090	
3	18013B	1	Weldment, engine mount	
4	18083	1	Isolator, rubber 570/380 lbs	
5	18085	1	Washer, snub - 2OD .51ID	
6	27034B	1	Weldment. anti-turn bolt 1/2 in. x 3.500	

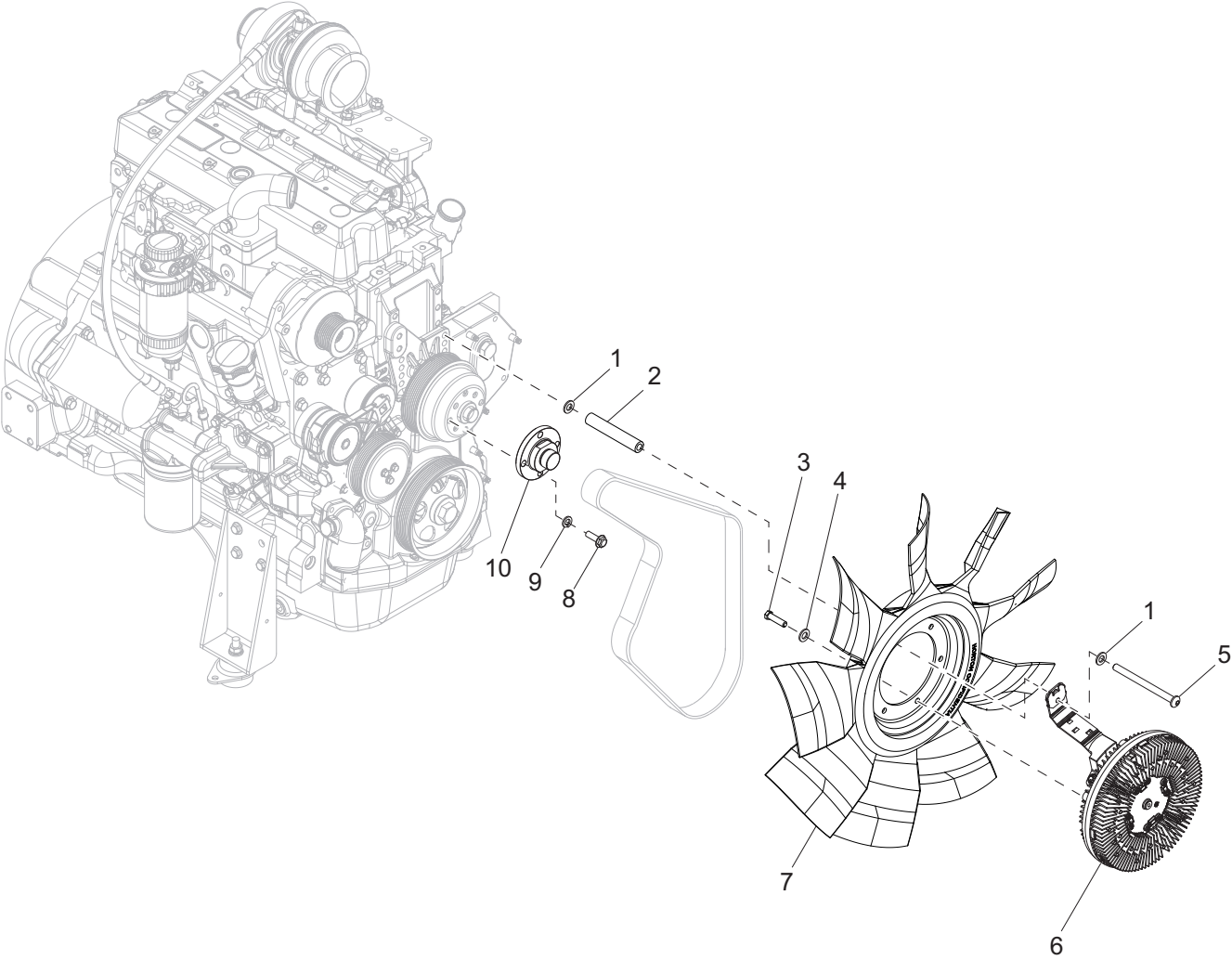
SKID ASSEMBLY



SKID ASSEMBLY

ITEM	PART NO.	QTY	DESCRIPTION	NOTES
1	20785B	2	Brace, side - mid (A)	
2	60202	16	Screw, M12-1.75 x 35 sflg hx G10.9	
3	26844B	1	Weldment, lift channel - mid	
4	20241B	1	Weldment, RH door post - mid	
5	20242B	1	Weldment, LH door post - mid	
6	22369B	1	Weldment, skid	
7	18394	2	Plug, .500NPT x hex socket	
8	60323	4	Screw, .375-16 x 1.50 std hex, G8	
9	<i>Page 30</i>	1	Assembly, fuel tank	
OPTIONAL FEATURES				
A	23131B	1	Weldment, skid adapter	Option: required w/some fuel tanks
B	60451	6	Screw, .375-16 x .625 flg hex	
C	60145	6	Nut, .375-16 sflg, G	

CLUTCHED FAN ASSEMBLY - MMG100CAN, MMG100CAN6

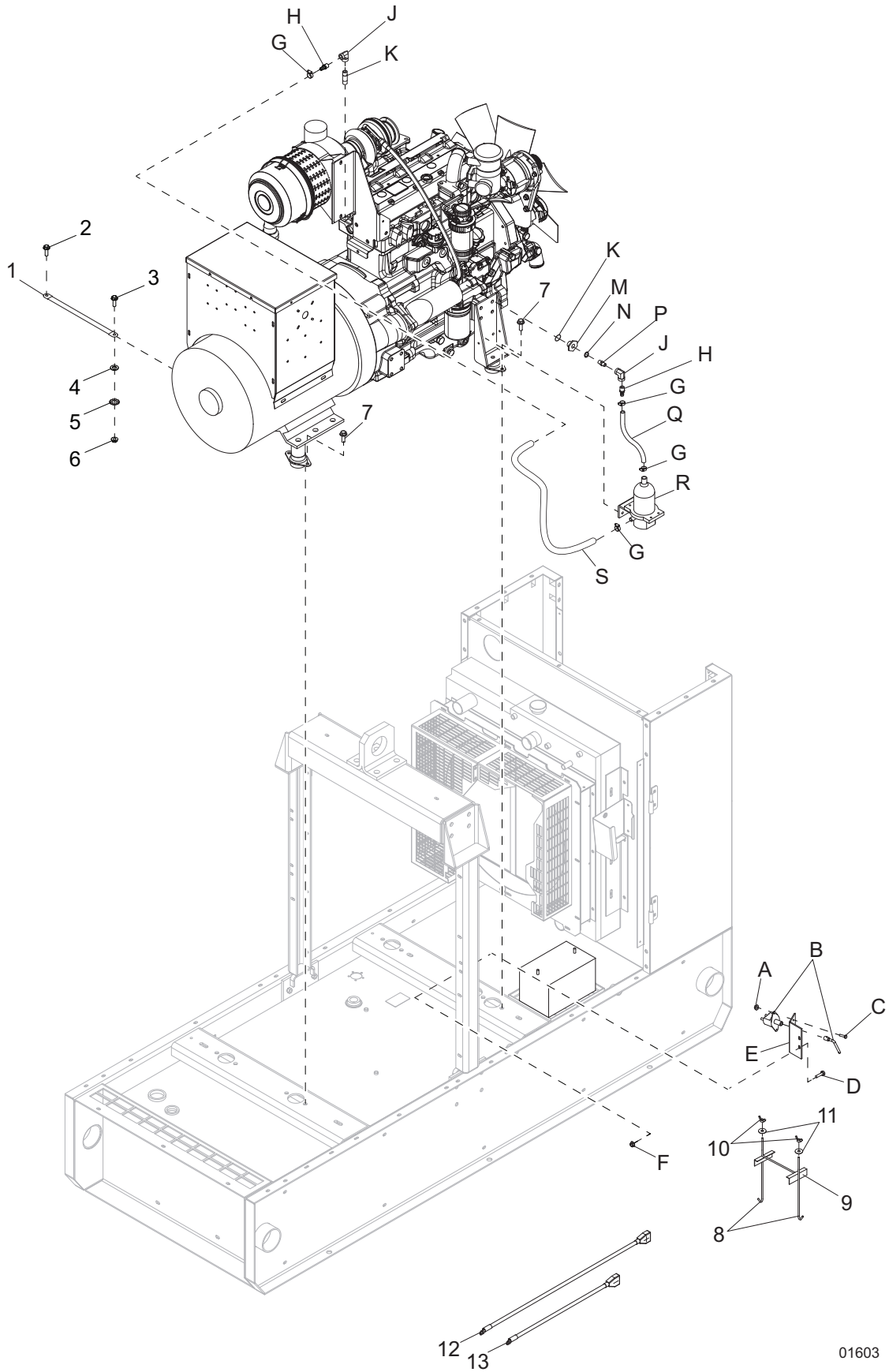


01602

CLUTCHED FAN ASSEMBLY - MMG100CAN, MMG100CAN6

ITEM	PART NO.	QTY	DESCRIPTION	NOTES
1	60386	2	Washer, .375 flat	
2	33013B	1	Spacer, .750 OD .511 ID 2.5 long	
3	60152	6	Screw, M10-1.5 x 60 std hex G8.8	
4	60027	6	Washer, M10 flat	
5	60398	1	Screw, 10-32 x .50 pan phil	
6	32804	1	Clutch, fan - for 23in. 100T3	
7	30269	1	Fan, 23 in. for clutch	
8	62259	4	Screw, M10-1.50 x 30 sflg hex, G10.9	
9	60026	4	Washer, M10 split lock	
10	33184	1	Spacer, fan clutch mount	
--	67863	1	Harness, clutch fan - control box	
--	66737	1	Assembly, Harness, clutch fan	
--	33031	1	Assembly, fan	
--	33014	1	Assembly, clutched fan	Items 1 - 10

ENGINE TO SKID ASSEMBLY



01603

ENGINE TO SKID ASSEMBLY

ITEM	PART NO.	QTY	DESCRIPTION	NOTES
1	19042	1	Strap, ground - 10 in	
2	60353	1	Screw, .375-16 x 1.00 flg hex-self tapping	
3	60487	1	Screw, .375-16 x 1.50 sflg hex	
4	60386	1	Washer, .375 flat .993/.064 ZC	
5	60369	1	Washer, M12 ext star ZC	
6	60145	1	Nut, .375-16 sflg G5 ZC lock	
7	60018	8	Screw, M10-1.25 x 20 sflg	90 lb.
8	14146	2	Bolt, J - .250-20 x 10 w/wing nut	
9	14682	1	Bracket, battery hold down	
10	60090	2	Nut, .250-20 wing	
11	60089	2	Washer, .265 fndr	
12	18693	1	Cable, battery - 38 in. red	
13	10425	1	Cable, battery - 16 in. blk	

OPTIONAL FEATURES

Battery Disconnect

A	60161	2	Nut, .250-20 sflg G5
B	21489	1	Battery disconnect switch - 500A cont.
C	60393	2	Screw, .250-20 x 1 in. std hex
D	60256	2	Screw, .312-18 x 1.5 in. std hex
E	23360B	1	Bracket, battery disconnect
F	90095	2	Nut, .312 - 18 sflg
--	19827	1	Cable, battery - 47 in. blk

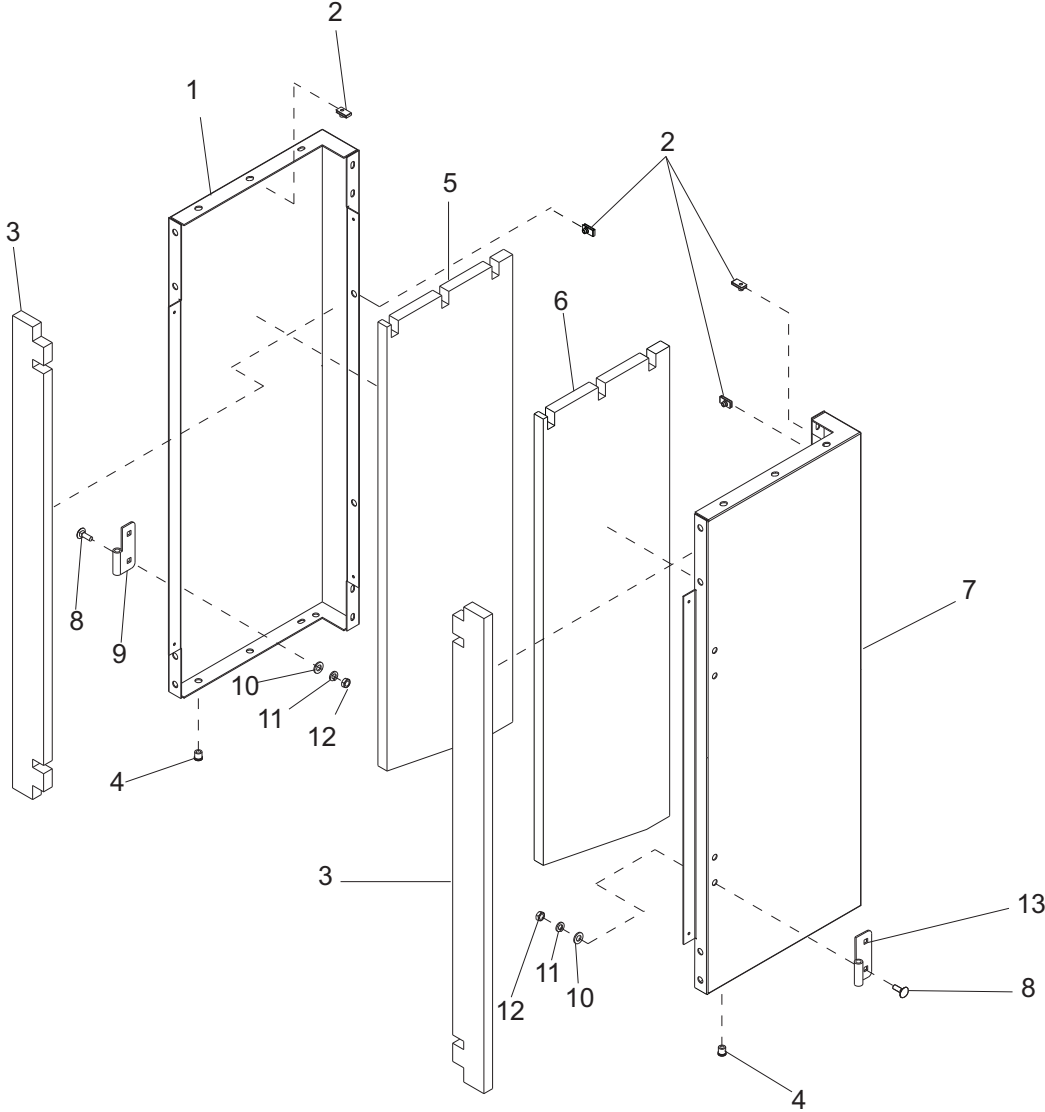
Coolant Heater

G	60365	4	Clamp, hose - SAE 010
H	60502	2	Fitting, strt-.500MNPT x .625
J	22462	2	Fitting, 90°-.500FNPT brass
K	60438	1	Fitting, nipple-.500NPT x close
L	22589	1	O-ring, 1.625 in
M	22588	1	Fitting, strt-1.625 x M18
N	19466	1	Seal, M18
P	19257	1	Fitting, strt-.500MNPT x M18
Q	50201	1.42 ft.	Hose, coolant - .625 I.D.
R	25938	1	Heater, coolant, 200-300CI, 120V, 1500W, 12.5A, KI
S	50201	3.92 ft.	Hose, coolant - .625 I.D.
--	66658	6 ft.	Loom, wire 1.06 ID - corrugated

Fuel Filter Heater

--	27009	1	Heater, fuel filter
--	27011	1	Harness, filter heater
--	31023	1	Decal, relay labeling - fuel heater

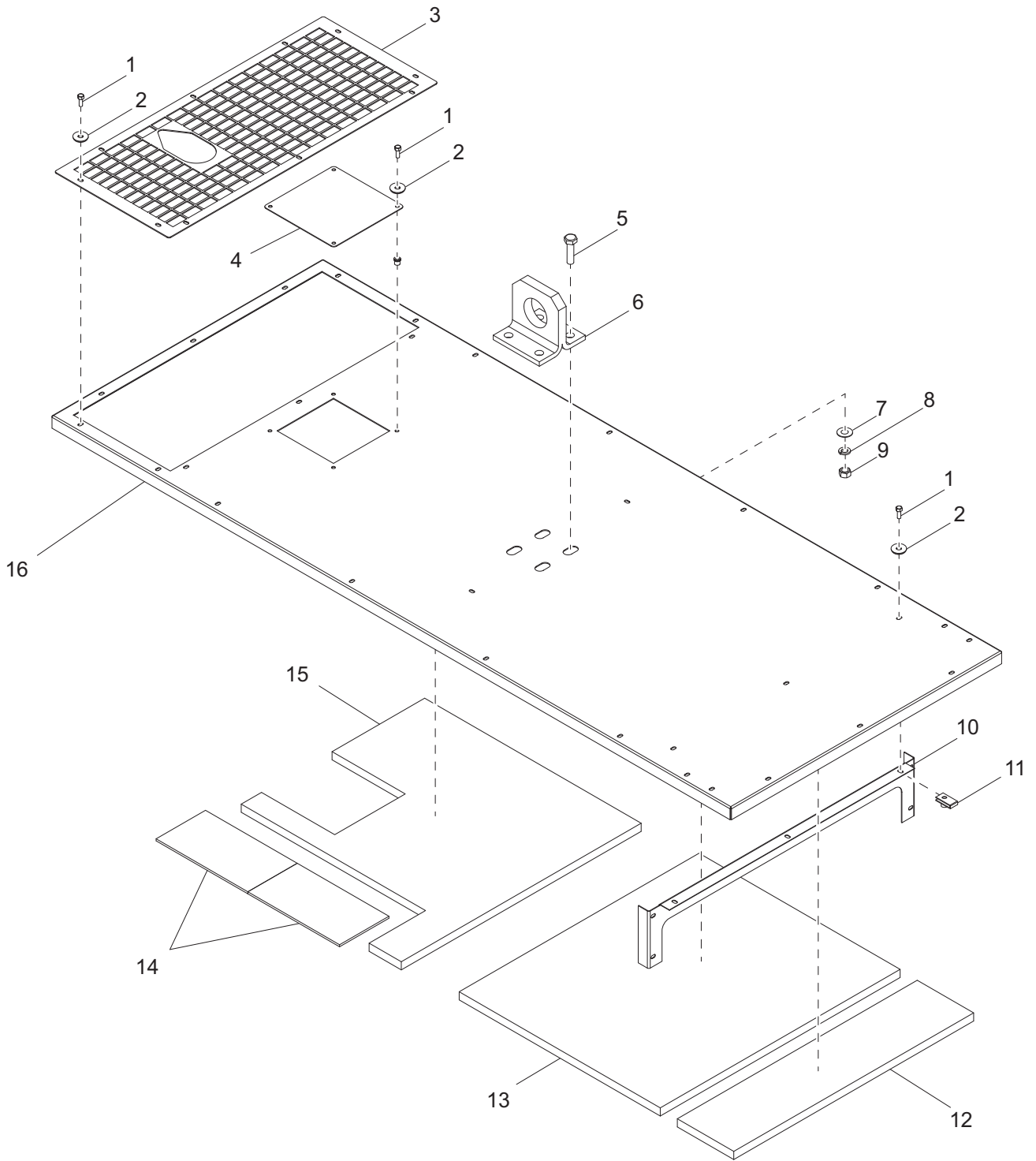
FRONT SIDE PANEL ASSEMBLIES



FRONT SIDE PANEL ASSEMBLIES

ITEM	PART NO.	QTY	DESCRIPTION	NOTES
1	20663W	1	Panel, left front	
2	60505	16	Nut, U-clip .312-18	
3	20795	2	Foam, corner common	
4	62133	4	Insert, threaded .312-18 splined .027 -.150	
5	20792	1	Foam, frt/lft corner	
6	20791	1	Foam, frt/rht corner	
7	20662W	1	Panel, right front	
8	61066	8	Screw, .312-18 x 1.00 carr	
9	18462	2	Hinge, left (female)	
10	60243	8	Washer, flat .250	
11	60271	8	Washer, .312 split lock	
12	60285	8	Nut, .312-18 hex	
13	18460	2	Hinge, right (female)	
--	20812	1	Assembly, right/front side panel	
--	20813	1	Assembly, left/front side panel	

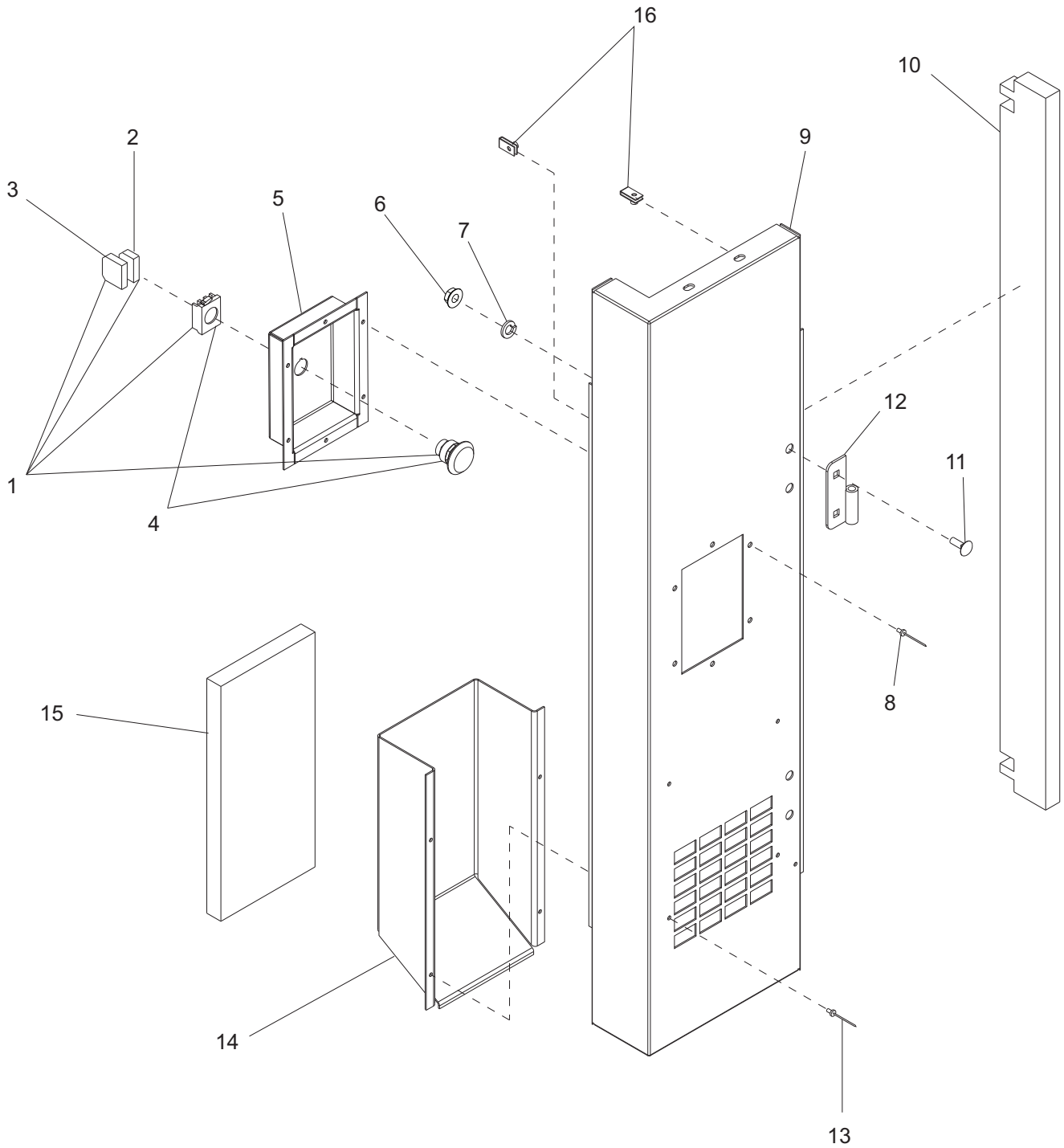
ROOF ASSEMBLY



ROOF ASSEMBLY

ITEM	PART NO.	QTY	DESCRIPTION	NOTES
1	60507	30	Screw, .312-18 x 1 in. hx hd	
2	60452	30	Washer, flat .313 x 1.125 rubber	
3	26422B	1	Panel, roof insert	
4	25053W	1	Panel, back access	
5	60532	4	Screw, .750-10 x 3 in. std hex G8	
6	18053B	1	Bracket, lifting eye	
7	60527	4	Washer, .750 flat	
8	60248	4	Washer, .750 split lock	
9	60249	4	Nut, .750-10 hex G8	
10	20749B	1	Panel, roof baffle	
11	60505	3	Nut, U-clip .312-18	
12	20802	1	Foam, roof mid	
13	20803	1	Foam, roof rear	
14	23361	2	Insulation, ceramic roof	
15	26424	1	Foam, front roof	
16	26421W	1	Panel, roof	
--	26504	1	Assembly, roof	Items 1-16

RIGHT REAR SIDE PANEL ASSEMBLY

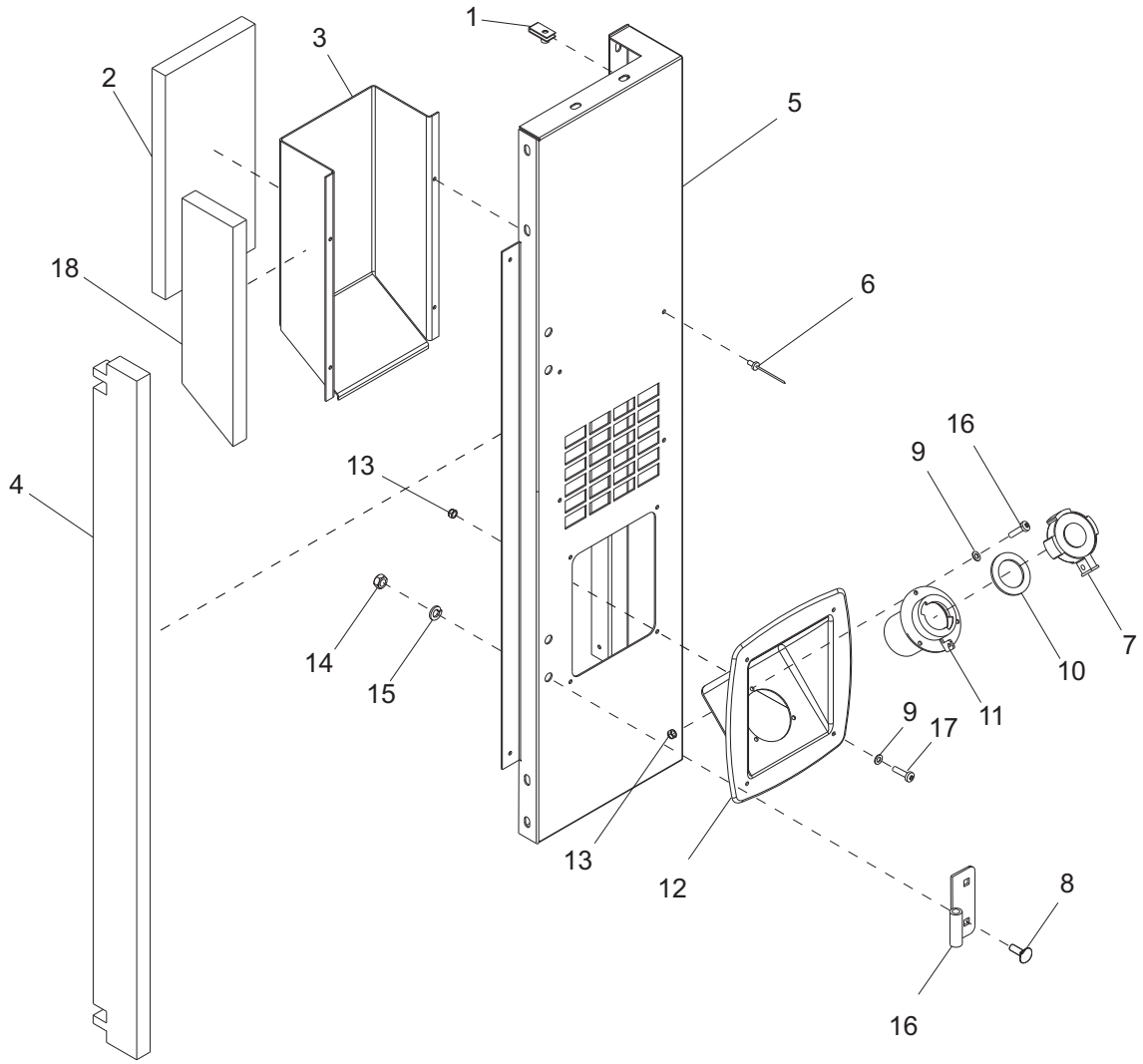


01604

RIGHT REAR SIDE PANEL ASSEMBLY

ITEM	PART NO.	QTY	DESCRIPTION	NOTES
1	22550	1	Switch, e-stop, 2NO/1NC	
2	65580	1	Block, e-stop contactor-N.C.	low voltage
3	65584	1	Block, e-stop contactor	N.O. / N.O.
4	65470	1	Switch, e-stop operator	
5	30645	1	Panel, emergency stop	
6	60285	4	Nut, .312-18 hex	
7	60271	4	Washer, .312 split lock	
8	60260	6	Rivet, .188 dia x .375 to .500	
9	21037W	1	Panel, rear right	
10	20795	1	Foam, corner common	
11	61066	4	Screw, .312-18 x 1 carr sqr	
12	18462	2	Hinge, left (female)	
13	60268	4	Rivet, .188 dia x .126 to .250	
14	20677W	1	Duct, rear air	
15	20798	1	Foam, small duct	
16	60505	4	Nut, U-clip - .312-18	
--	20737	1	Assembly, right/rear side panel	Items 1-16

LEFT REAR SIDE PANEL ASSEMBLY

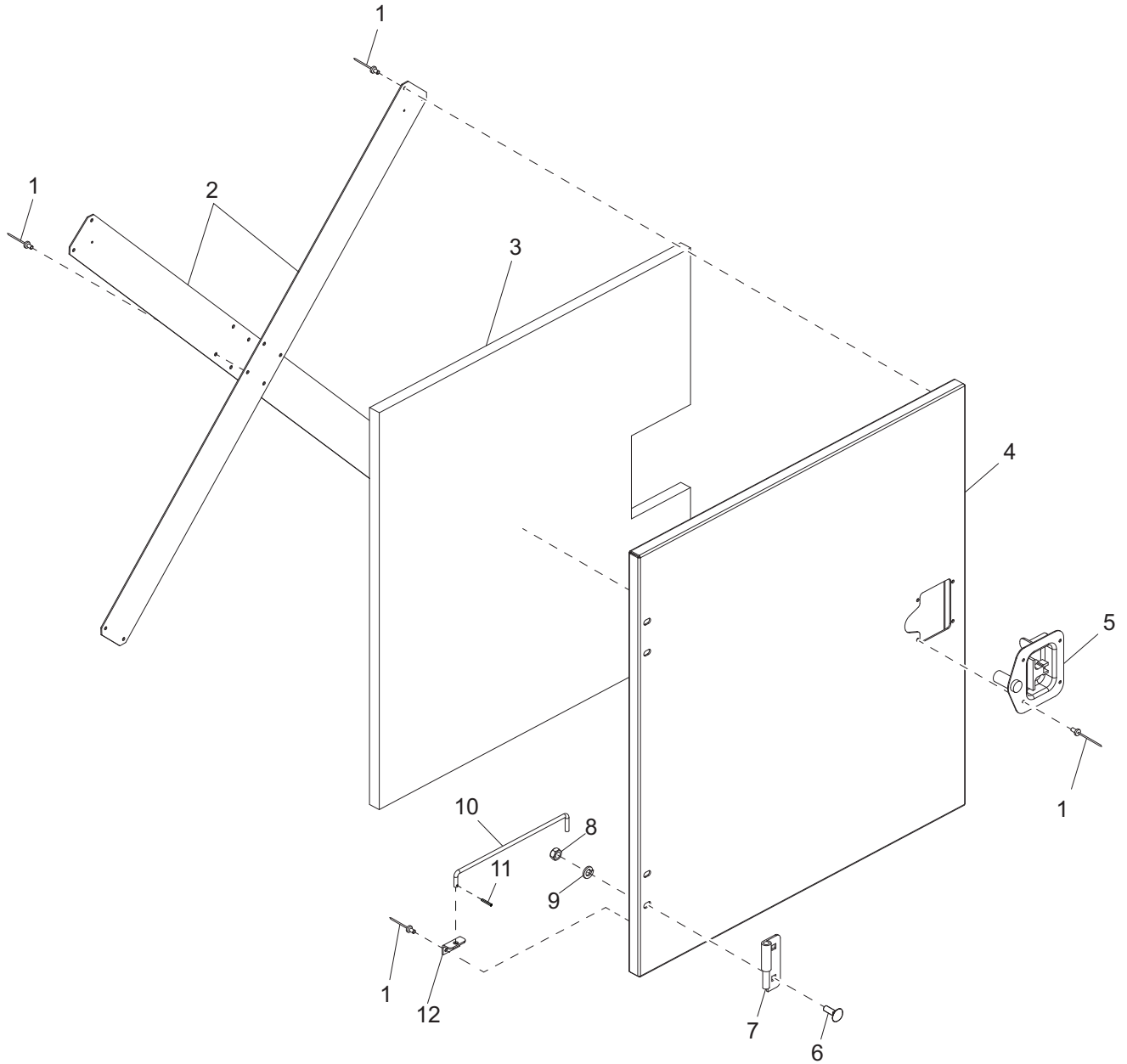


01605

LEFT REAR SIDE PANEL ASSEMBLY

ITEM	PART NO.	QTY	DESCRIPTION	NOTES
1	60505	4	Nut, U-clip .312-18	
2	20798	1	Foam, small duct	
3	20677W	1	Duct, rear air	
4	20795	1	Foam, corner common	
5	20661W	1	Panel, rear left	
6	60268	4	Rivet, .188 dia x .126 to .250	
7	18648	1	Cap, fuel fill w/ gasket	
8	61066	4	Screw, .312-18 x 1 carr sqr	
9	60067	7	Washer, flat #10 x .06	
10	19238	1	Gasket, fuel fill	
11	18666B	1	Weldment, filler tube & flange	
12	18506	1	Port, fuel fill	
13	60457	7	Nut, 10-24 nylock	
14	60285	4	Nut, .312-18 hex	
15	60271	4	Washer, .312 split lock	
16	18460	2	Hinge, right (female)	
17	61066	4	Screw, .312-18 x 1.00 carr	
18	20804	1	Foam, small duct side	
--	20738	1	Assembly, left/rear side panel	Items 1-18

LEFT FRONT DOOR ASSEMBLY

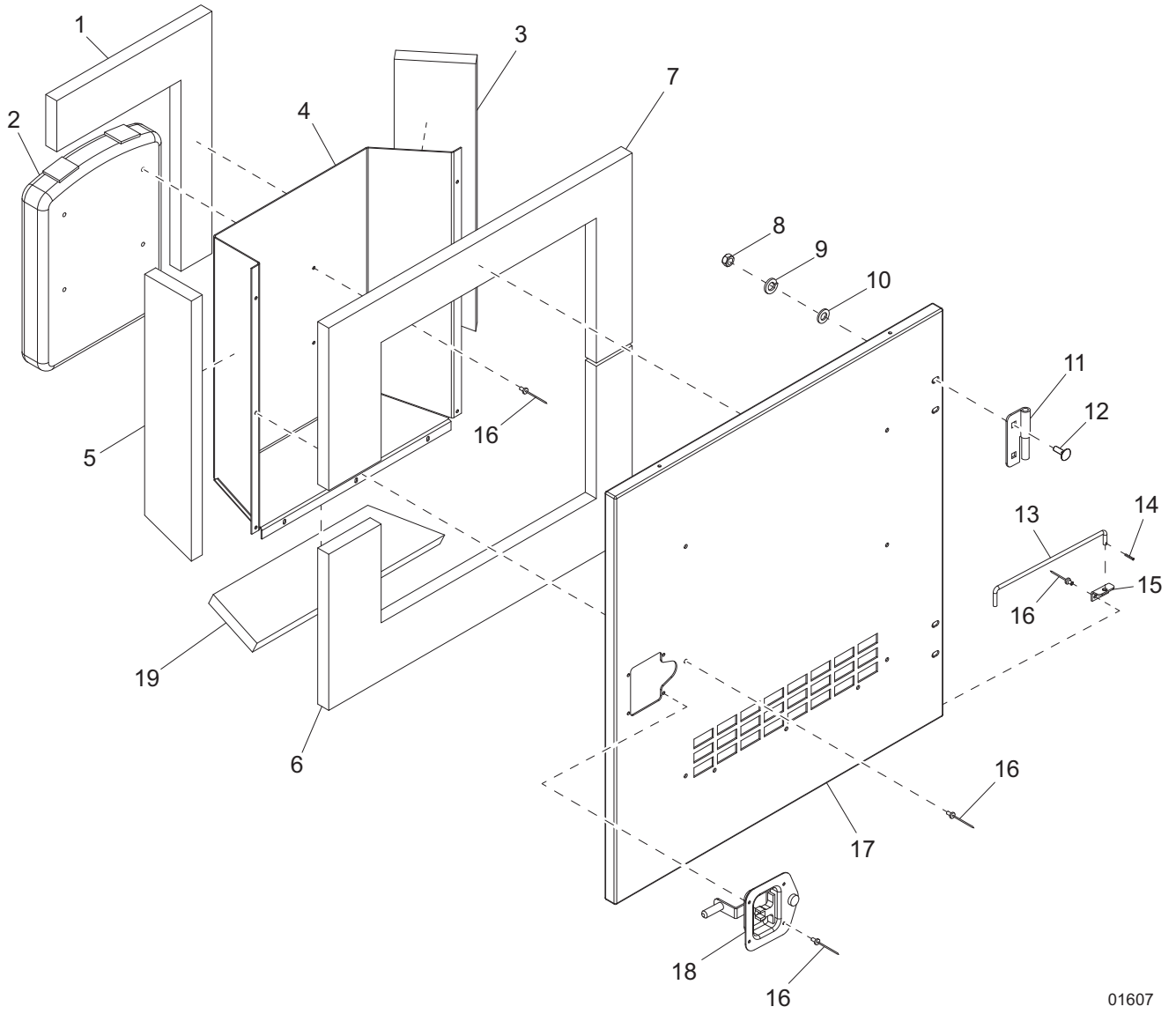


01606

LEFT FRONT DOOR ASSEMBLY

ITEM	PART NO.	QTY	DESCRIPTION	NOTES
1	60268	18	Rivet, .188 dia x .126 to .250	
2	20948B	2	Brace, door - mid	
3	20967	1	Foam, door - mid	
4	20946W	1	Panel, door - mid	
5	22497	1	Latch, T-handle left CW lock	
6	61066	4	Screw, .312-18 x 1 in. carr	
7	18459	2	Hinge, left (male)	
8	60271	4	Washer, .312 split lock	
9	60285	4	Nut, .312-18 hex	
10	18900ZC	1	Rod, door prop	
11	60048	1	Pin, roll .125 x .625	
12	20916Z	1	Bracket, prop rod	
--	21226	1	Assembly, left front door	Items 1-12

RIGHT FRONT DOOR ASSEMBLY

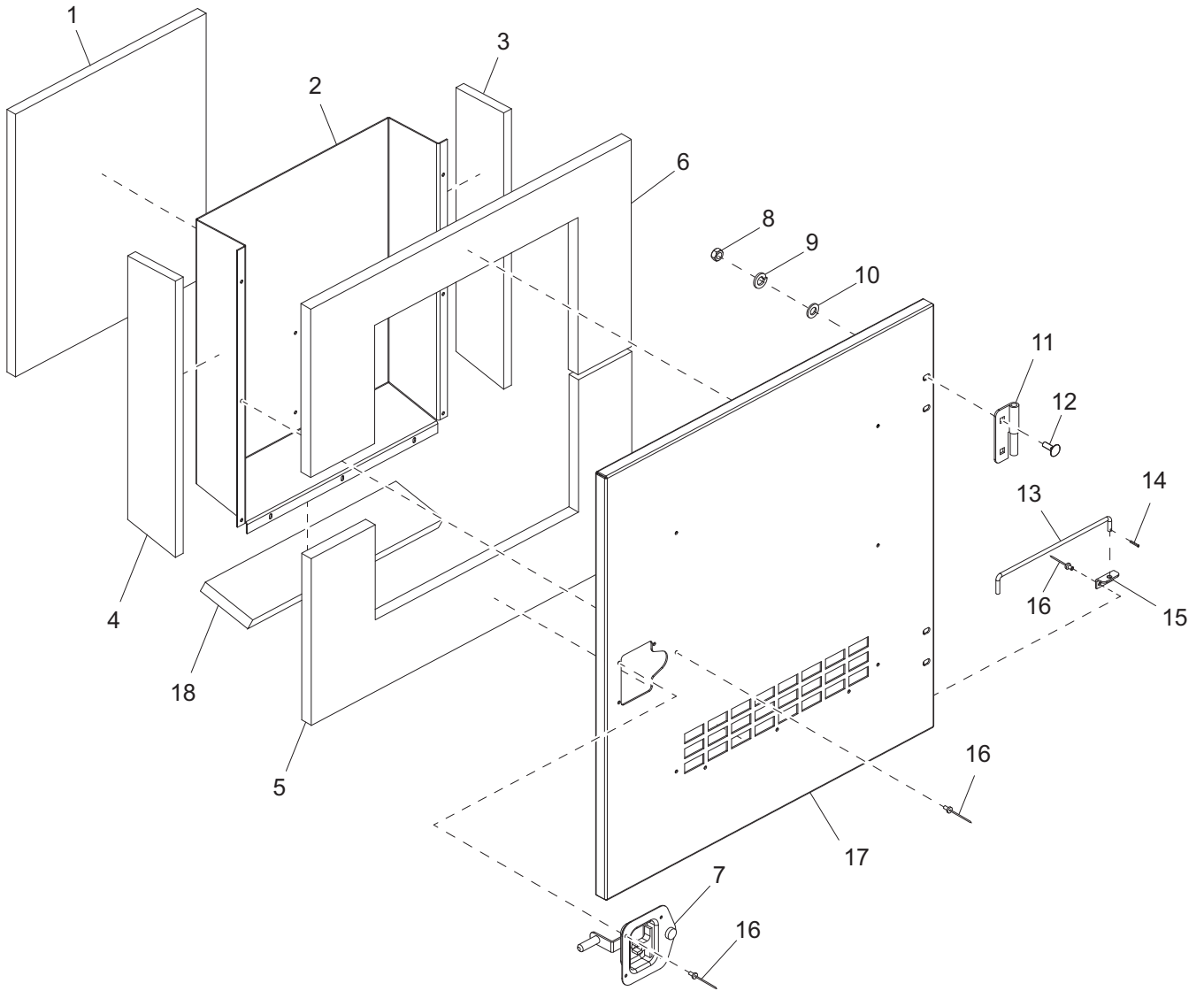


01607

RIGHT FRONT DOOR ASSEMBLY

ITEM	PART NO.	QTY	DESCRIPTION	NOTES
1	26520	1	Foam, duct face	
2	18715	1	Holder, manual (plastic)	
3	26518	1	Foam, duct side - lft	
4	26509W	1	Duct, door - MMG75-100	
5	21121	1	Foam, duct side - rht	
6	21105	1	Foam, door - bottom	
7	21104	1	Foam, door - top	
8	60285	4	Nut, .312-18 hex	
9	60271	4	Washer, .312 split lock	
10	60243	4	Washer, flat .25	
11	18461	2	Hinge, right (male)	
12	61066	4	Screw, .312-18 x 1 in. carr	
13	18900ZC	1	Rod, door prop	
14	60048	1	Pin, roll .125 x .625	
15	20916Z	1	Bracket, prop rod	
16	60268	19	Rivet, .188 dia x .126 to .250	
17	20669W	1	Panel, door	
18	22498	1	Latch, T-handle - right, CCW	
19	26519	1	Foam, duct - bottom	
--	26508	1	Assembly, front right door	Items 1-19

LEFT REAR DOOR ASSEMBLY

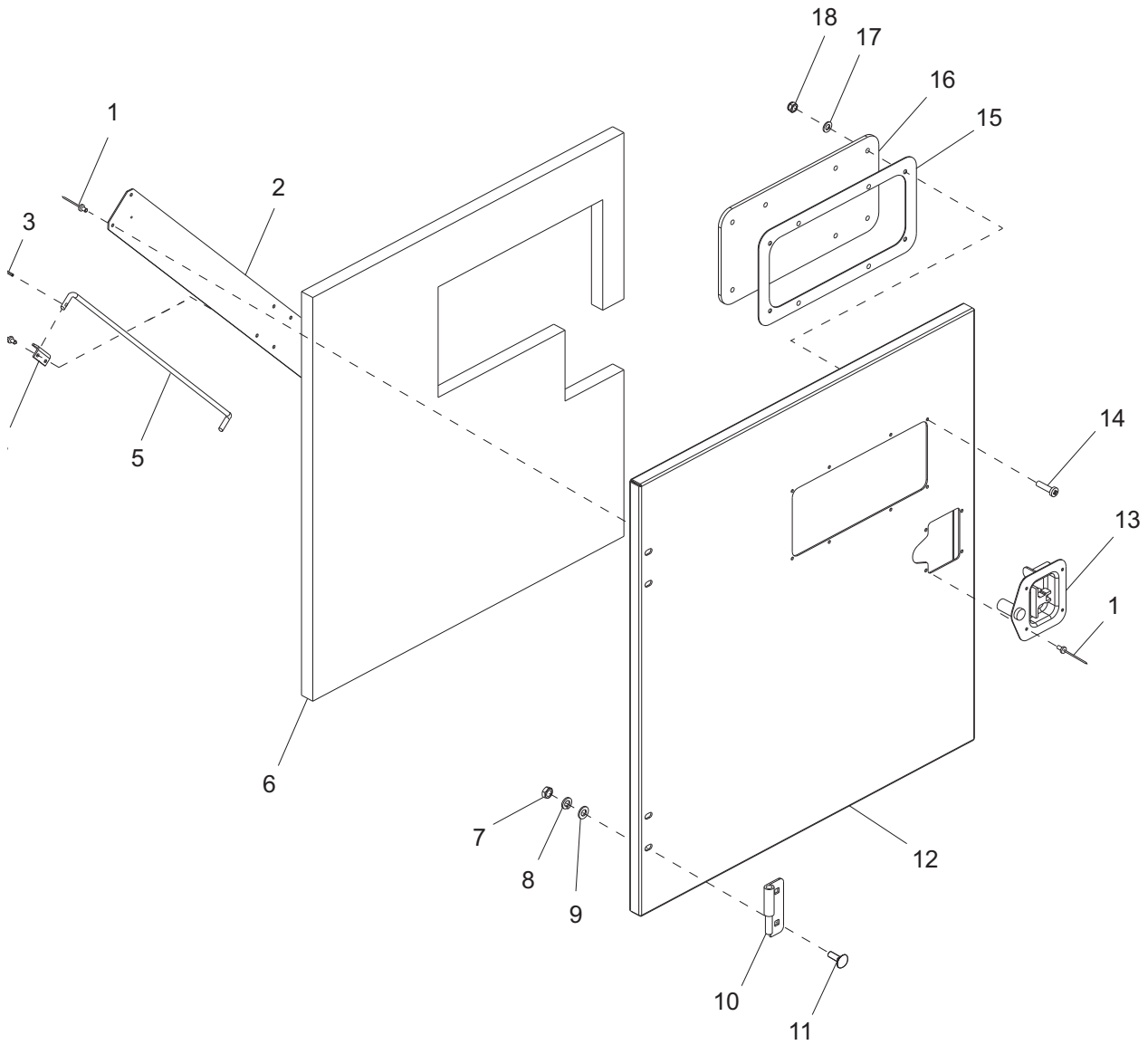


01608

LEFT REAR DOOR ASSEMBLY

ITEM	PART NO.	QTY	DESCRIPTION	NOTES
1	21102	1	Foam, door duct - RR	
2	21057W	1	Duct, door	
3	21122	1	Foam, duct side - lft	
4	21121	1	Foam, duct side - rht	
5	21105	1	Foam, door - bottom	
6	21104	1	Foam, door - top	
7	22498	1	Latch, T-handle - right, CCW	
8	60285	4	Nut, .312-18 hex	
9	60271	4	Washer, .312 split lock	
10	60243	4	Washer, flat .25	
11	18461	2	Hinge, right (male)	
12	61066	4	Screw, .312-18 x 1.00 carr	
13	18900ZC	1	Rod, door prop	
14	60048	1	Pin, roll .125 x .625	
15	20916Z	1	Bracket, prop rod	
16	60268	15	Rivet, .188 dia x .126 to .250	
17	20669W	1	Panel, door	
18	23344	1	Foam, door duct lower	
--	20755	1	Assembly, left rear door	Items 1-18

CONTROL DOOR ASSEMBLY
Old Style (see new style on following page)



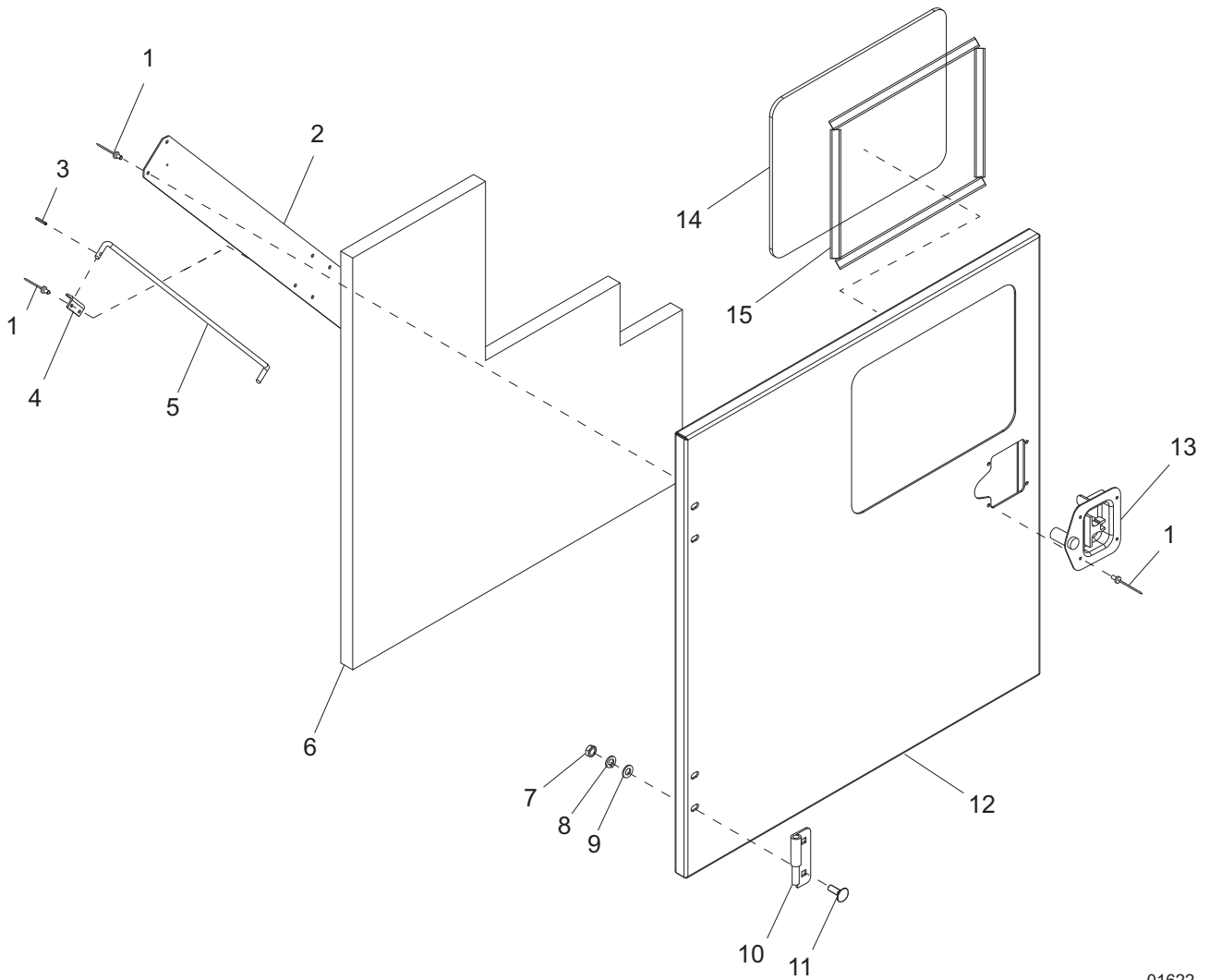
01609

CONTROL DOOR ASSEMBLY

Old Style (see new style on following page)

ITEM	PART NO.	QTY	DESCRIPTION	NOTES
1	60268	10	Rivet, .188 dia x .126 to .250	
2	20948B	1	Brace, door - mid	
3	60048	1	Pin, roll .125 x .625	
4	20916Z	1	Bracket, prop rod	
5	21146Z	1	Rod, prop- control door	
6	20968	1	Foam, control door - mid	
7	60285	4	Nut, .312-18 hex	
8	60271	4	Washer, .312 split lock	
9	60243	4	Washer, flat .25	
10	18459	2	Hinge, left (male)	
11	61066	4	Screw, .312-18 x 1.00 carr	
12	20947W	1	Panel, control door	
13	22497	1	Latch, T-handle left CW lock	
14	60529	8	Screw, 10-24 x .625 pan phil	
15	23511	1	Gasket, control door	
16	23512	1	Window, control door	
17	60067	8	Washer, flat #10 x .06 thk	
18	60530	8	Nut, 10-24 nylock	
--	20726	1	Assembly, control door	Items 1-18

CONTROL DOOR ASSEMBLY
New Style (See old style on previous page)



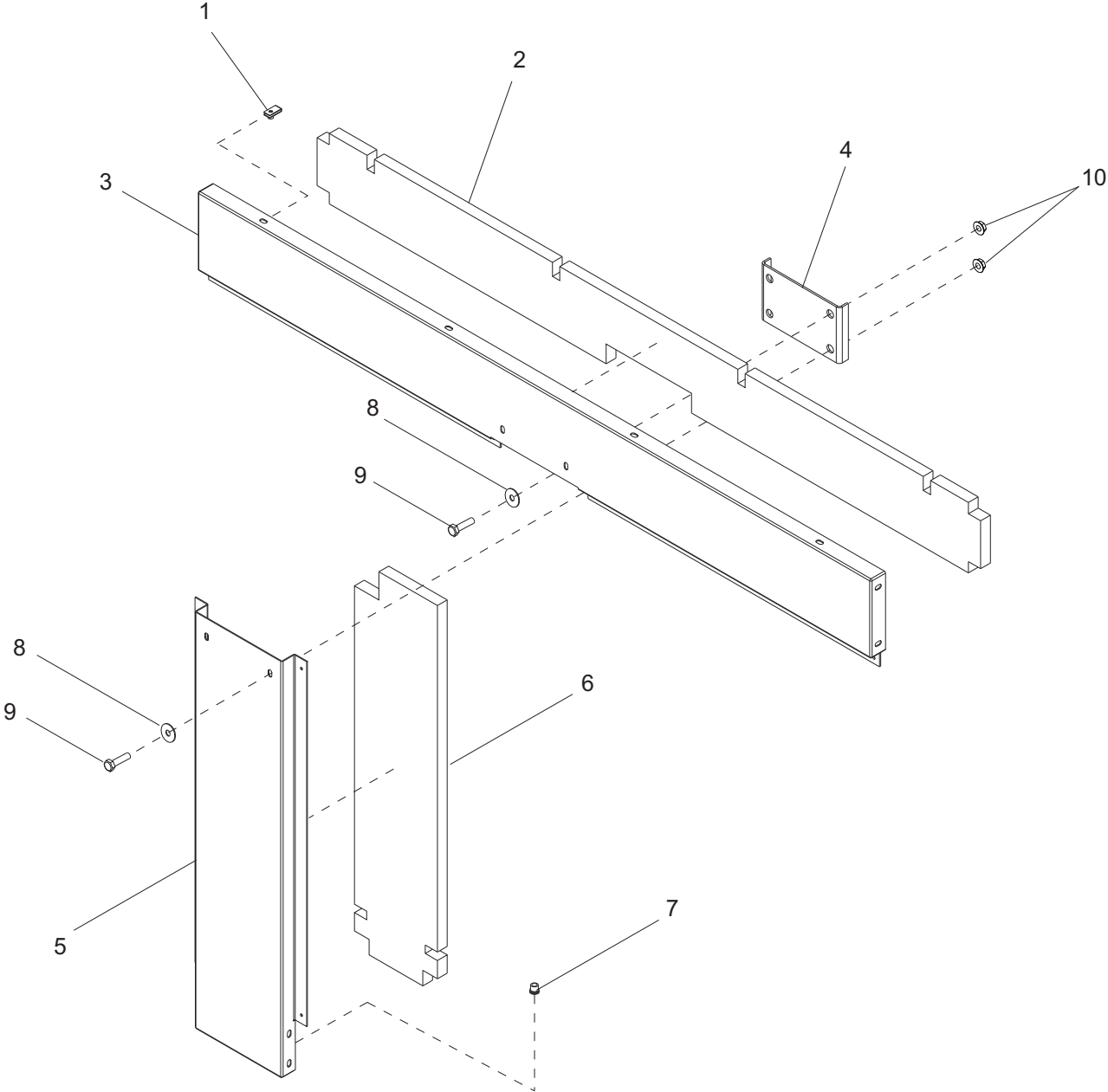
01622

CONTROL DOOR ASSEMBLY

New Style (See old style on previous page)

ITEM	PART NO.	QTY	DESCRIPTION	NOTES
1	60268	10	Rivet, .188 dia x .126 to .250	
2	20948B	1	Brace, door - mid	
3	60048	1	Pin, roll .125 x .625	
4	20916Z	1	Bracket, prop rod	
5	21146Z	1	Rod, prop- control door	
6	27541	1	Foam, control door - mid	
7	60285	4	Nut, .312-18 hex 316	
8	60271	4	Washer, .312 split lock	
9	60243	4	Washer, flat .25	
10	18459	2	Hinge, left (male)	
11	61066	4	Screw, .312-18 x 1.00 carr	
12	29035W	1	Door, control	
13	22497	1	Latch, T-handle left CW lock	
14	21477	1	Window, control door	
15	50192	4.58 ft.	Tape, .500 in. , double sided, type VHB	
--	29036	1	Assembly, control door	Items 1-15

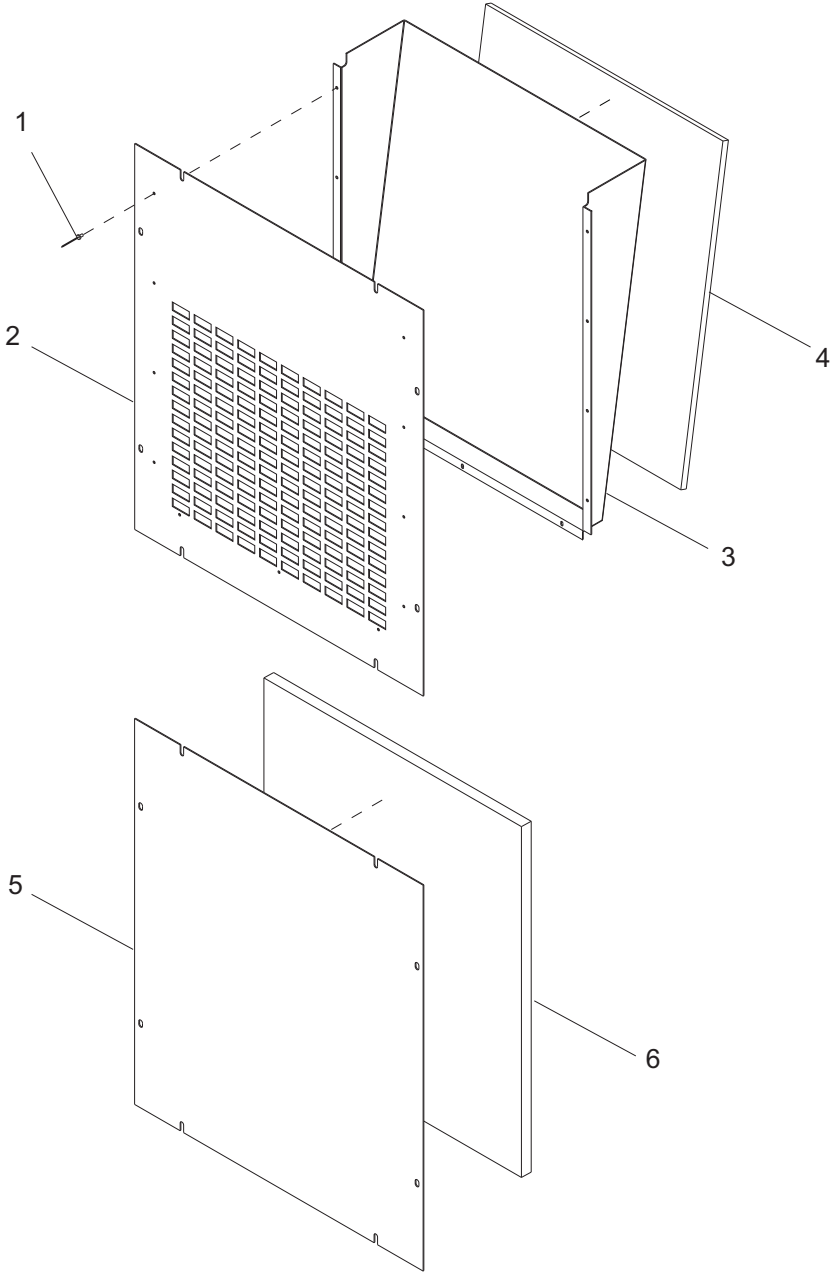
TOP AND CENTER SIDE PANEL ASSEMBLIES



TOP AND CENTER SIDE PANEL ASSEMBLIES

ITEM	PART NO.	QTY	DESCRIPTION	NOTES
1	60505	8	Nut, U-clip .312-18	
2	20790	2	Foam, top side	
3	20666W	2	Panel, top side	
4	20722W	2	Plate, side stiffener	
5	20667W	2	Panel, center side	
6	20793	2	Foam, center side	
7	62133	2	Insert, threaded .312-18 splined .027-150	
8	60452	4	Washer, flat .313 x 1.125	Bonded rubber
9	60507	4	Screw, .312-18 x 1 in. hx hd	
10	60095	4	Nut, .312-18 sflg	
--	20821	2	Assembly, panel - top side	Items 1-3
--	20820	2	Assembly, panel - center side	Items 4-7

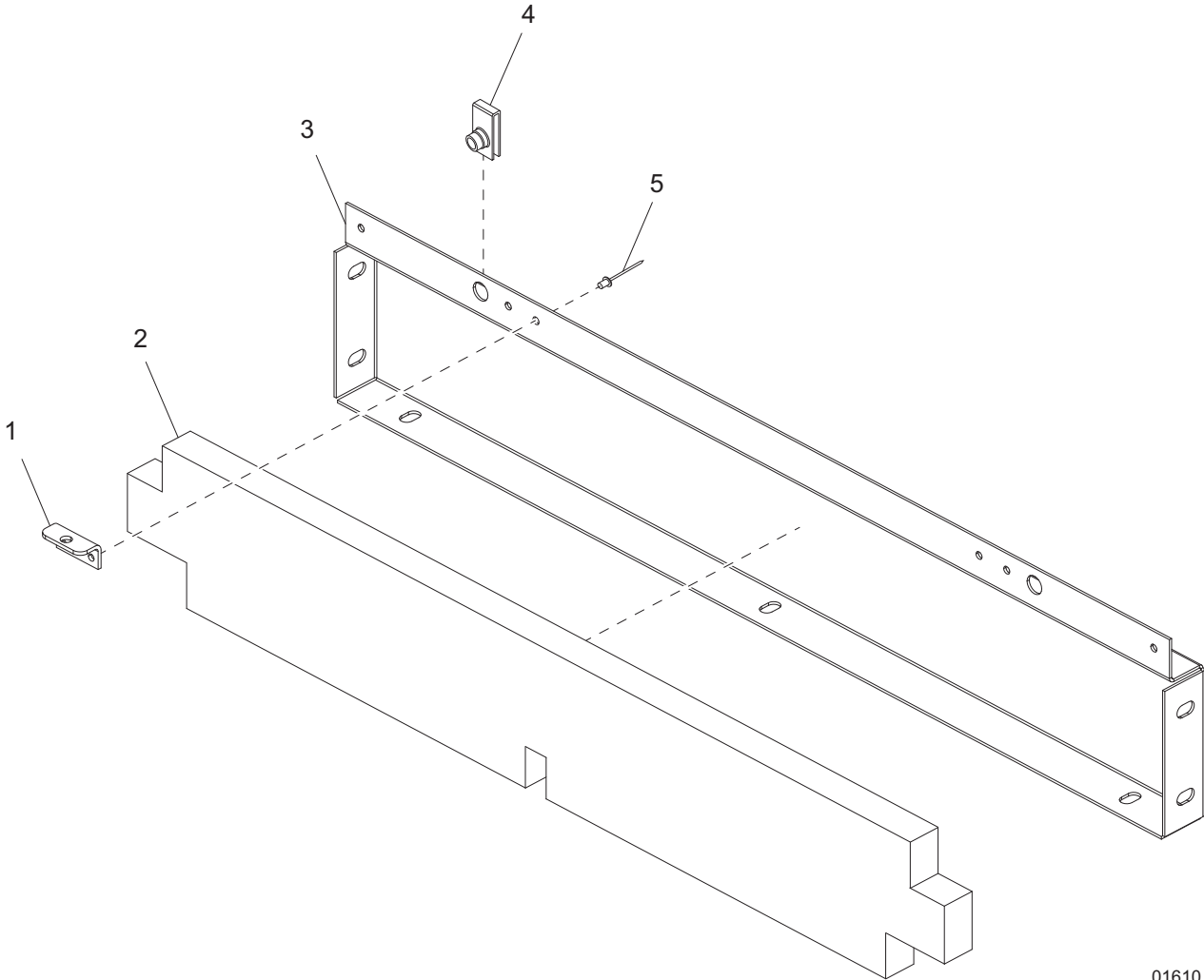
FRONT AND REAR PANEL ASSEMBLIES



FRONT AND REAR PANEL ASSEMBLIES

ITEM	PART NO.	QTY	DESCRIPTION	NOTES
1	60268	11	Rivet, .188 dia. x .126 to .250	
2	20751W	1	Panel , rear	
3	20752W	1	Duct, rear panel	
4	20796	1	Foam, rear duct	
5	20750W	1	Panel, front	
6	20800	1	Foam, front panel	
--	20754	1	Assembly, rear panel	Items 1-4
--	20822	1	Assembly, panel - front	Items 5-6

END/SIDE PANEL ASSEMBLY

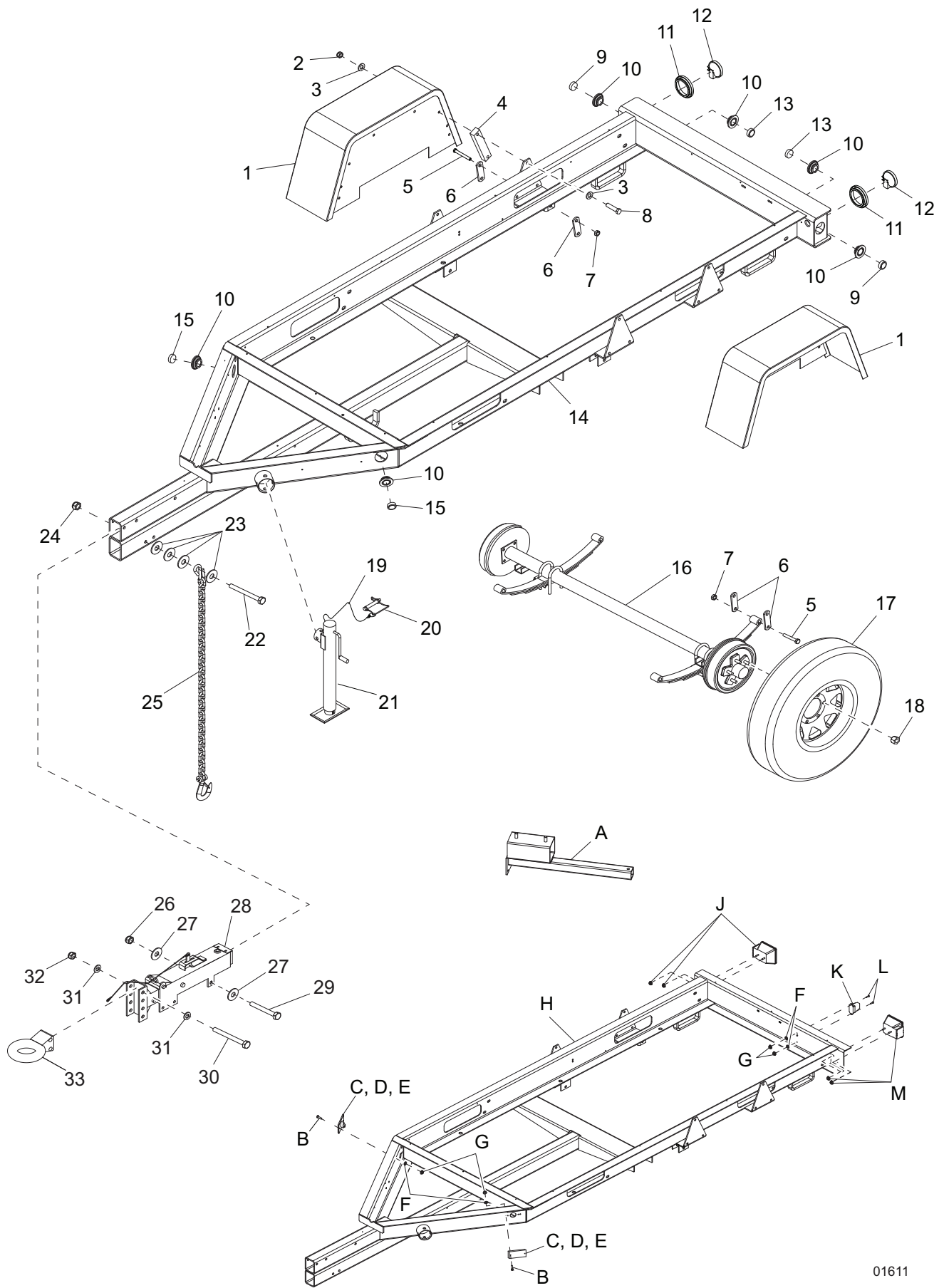


01610

END/SIDE PANEL ASSEMBLY

ITEM	PART NO.	QTY	DESCRIPTION	NOTES
1	20916Z	1	Bracket, prop rod	
2	20794	1	Foam, small panel	
3	20668W	1	Panel, end	
4	60505	2	Nut, U-clip .312-18	
5	60268	2	Rivet, .188 dia x .126 to .250	
--	20819	7	Assembly, panel - end	Items 1-5

TRAILER ASSEMBLY - SINGLE AXLE



01611

TRAILER ASSEMBLY - SINGLE AXLE

ITEM	PART NO.	QTY	DESCRIPTION	NOTES
1	22743B	2	Fender, single wheel	
2	60303	8	Nut, .312-18 nylock, G2	
3	60340	16	Washer, .312 flat .875/.040	
4	23500B	4	Bracket, fender extension	
5	60503	6	Screw, shackle, .562-18 x 3.0 std hex, G5	
6	19637	4	Plate, shackle bracket	
7	60504	6	Nut, shackle, .562-18 hex	
8	60785	8	Screw, .312-18 x 2 in. std hex	
9	66703	2	Light, clearance, 2 in. - red LED	
10	66394	6	Grommet, sealed beam light, rubber - 2 in	
11	10221	2	Grommet, rear light, rubber - 4.5 in	
12	66701	2	Light, rear tail/turn, round 4 in.	
13	66704	2	Light, utility, 2.0 in. clear LED	
14	33273B	1	Weldment, trailer - single axle	
15	66702	2	Light, clearance, 2 in. amber LED	
16	Page 72	1	Assembly, axle - single	
17	30389	2	Wheel, ST225/75R15	
18	60096	12	Nut, .500-20 wheel lug	Included w/axle
19	13944	1	Tether, Cable 11.5 in.	
20	23256	1	Pin, jack - tube mounted	
21	11978	1	Jack, side wind - 2000 lb, tube mounted	
22	60376	2	Screw, .500-13 x 4.50 std hex, G5	
23	60193	8	Washer, M16 flat	
24	60240	2	Nut, .625-11 nylock, G5	
25	23367	2	Chain, safety - 7800 lbs rated	
26	62221	3	Nut, .500-13 nylock, G5	
27	60309	6	Washer, .500 flat 1.060/.090	
28	40529	1	Actuator, hyd srg brk - adjustable, 7500 lb	
29	60376	3	Screw, .500-13 x 4.50 std hex, G5	
30	60239	2	Screw, .625-11 x 5.0 std hex, G5	
31	60193	4	Washer, M16 flat	
32	60240	2	Nut, .625-11 nylock, G5	
33	19335B	1	Coupler, ring - 3 in. ID adj, 2000 lb	
--	43474	1	Harness, wire tlr 25 ft. 4con 18GA	
--	13050	1	Assembly, jack - 2000 lb tp wnd, tb mntd	Items 19 - 21

OPTIONAL FEATURES

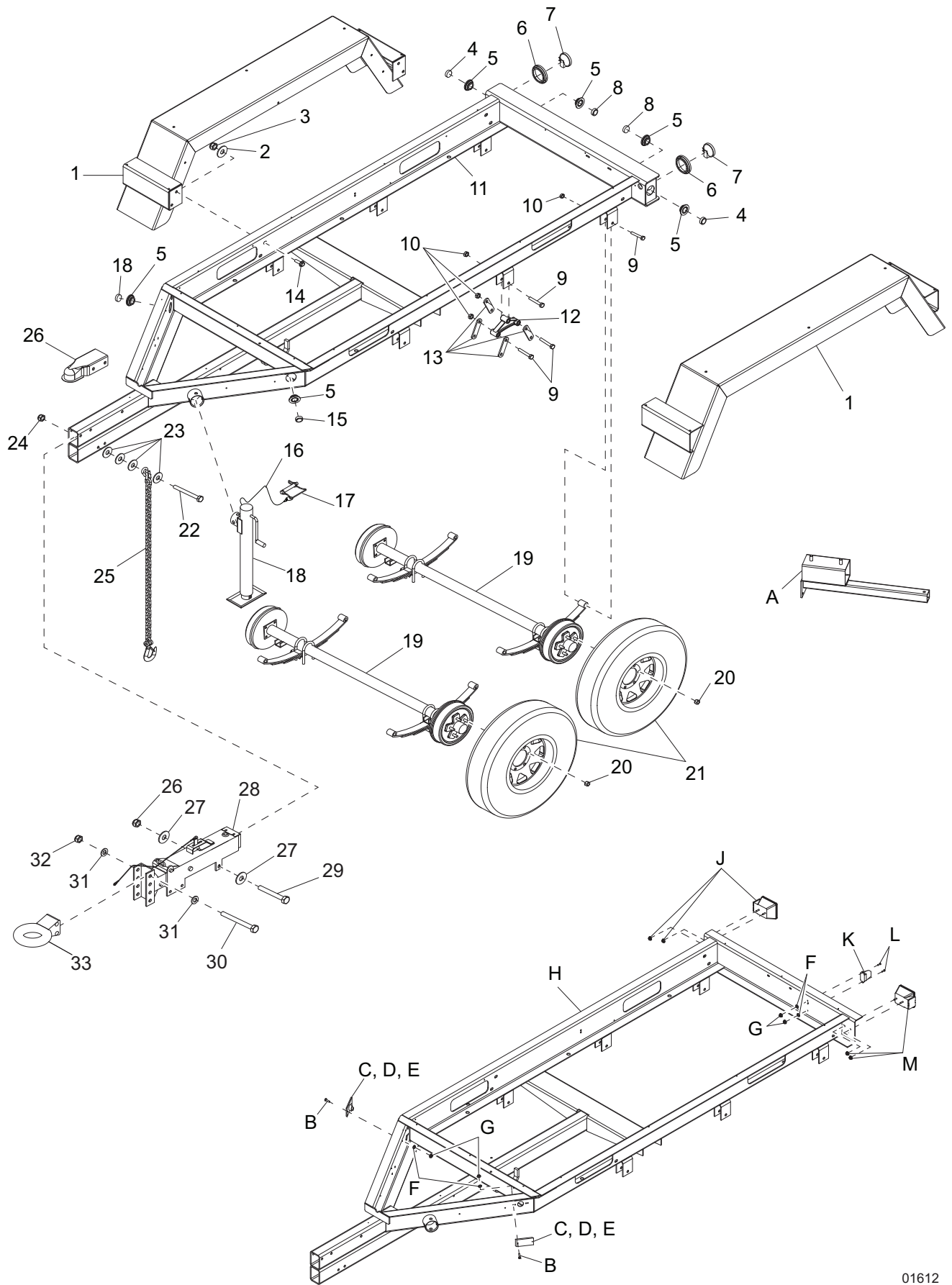
Spare Tire:

A 24534B 1 Weldment, spare tire carrier

Incandescent Lights:

B 60406 4 Screw, 8-32 x 1.0 pan phil, G2
 C 66373 2 Lens, clearance marker light - amber
 D 65661 2 Bulb, clearance marker light
 E 65662 2 Plug, clearance marker light
 -- 65407 2 Light, clearance marker - amber Items C - E
 F 60236 6 Washer, #8 split lock
 G 60318 6 Nut, 8-32 hex, G5
 H 23216B 1 Weldment, trailer - single axle
 J 65448 1 Light, stop/turn/tail - right, waterproof
 K 65605 1 Light, license plate - 12V
 L 60244 2 Screw, 8-32 x .750 pan phil, G
 M 65449 1 Light, stop/turn/tail - left, waterproof

TRAILER ASSEMBLY - TANDEM AXLE



01612

TRAILER ASSEMBLY - TANDEM AXLE

ITEM	PART NO.	QTY	DESCRIPTION	NOTES
1	23141B	2	Weldment, fender	
2	60416	8	Washer, .500 flat 1.375/.090	
3	62221	8	Nut, .312-13 nylock, G5	
4	66703	2	Light, clearance, 2 in. red LED	
5	66394	6	Grommet, sealed beam light, rubber - 2 in	
6	10221	2	Grommet, rear light, rubber - 4.5 in	
7	66701	2	Light, rear tail/turn, round 4 in.	
8	66704	2	Light, utility, 2 in. clear LED	
9	60503	6	Screw, shackle, .562-18 x 3.0 std hex	
10	60504	6	Nut, shackle, .562-18 hex	
11	33274B	1	Weldment, tandem w/equalizer	
12	40545	2	Equalizer, tandem axle - 5.625	
13	19637	4	Plate, shackle bracket	
14	61103	8	Screw, .500-13 x 1.750 sflg hex	
15	66702	2	Light, clearance, 2 in. amber LED	
16	13944	1	Tether, cable 11.5 in.	
17	23256	1	Pin, jack - 2000 lb. tube mounted	
18	11978	1	Jack, side wind - 2000 lb, tube mounted	
19	Page 74	2	Assembly, axle - tandem	
20	60096	24	Nut, .500-20 wheel lug	Included w/axle
21	60689	4	Wheel, ST225/75R15, 2800lb	
22	60376	2	Screw, .500-13 x 4.50 std hex, G5	
23	60193	8	Washer, M16 flat	
24	60240	2	Nut, .625-11 nylock, G5	
25	23367	2	Chain, safety - 7800 lbs rated	
26	62221	3	Nut, .500-13 nylock, G5	
27	60309	6	Washer, .500 flat 1.060/.090	
28	40529	1	Actuator, hyd srg brk - adj, 7500 lb	
29	60376	3	Screw, .500-13 x 4.50 std hex, G5	
30	60239	2	Screw, .625-11 x 5.0 std hex, G5	
31	60193	4	Washer, M16 flat	
32	60240	2	Nut, .625-11 nylock, G5	
33	19335B	1	Coupler, ring - 3 in. ID ad, 20000 lb	
--	43474	1	Harness, wire tlr 25 ft. 4con 18GA	
--	13050	1	Assembly, jack - 2000 lb tp wnd, tb mntd	Items 16 - 18

OPTIONAL FEATURES

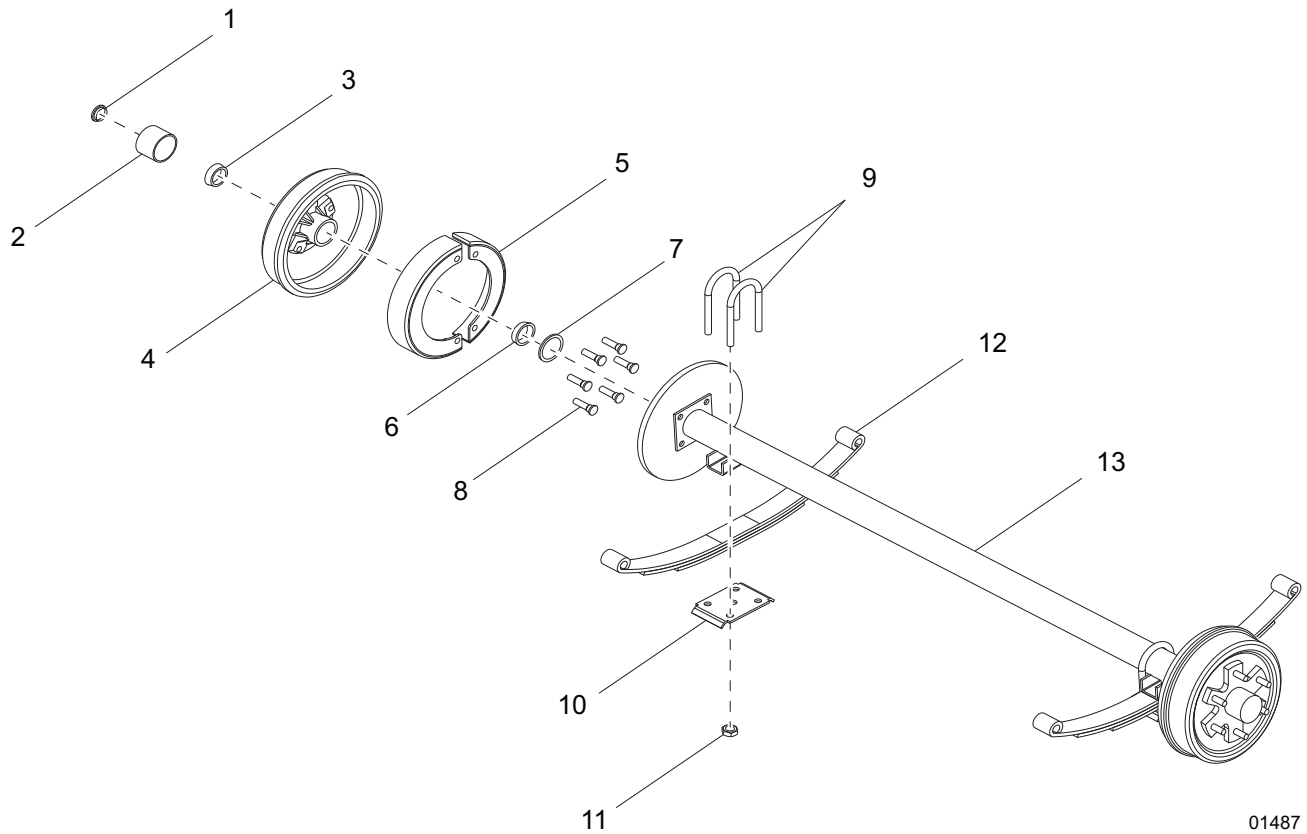
Spare Tire:

A 24711B 1 Weldment, spare tire carrier

Incandescent Lights:

B 60406 4 Screw, 8-32 x 1.0 pan phil, G2
 C 66373 2 Lens, clearance marker light - amber
 D 65661 2 Bulb, clearance marker light
 E 65662 2 Plug, clearance marker light
 -- 65407 2 Light, clearance marker - amber Items C - E
 F 60236 6 Washer, #8 split lock
 G 60318 6 Nut, 8-32 hex, G5
 H 23575B 1 Weldment, trailer - single axle
 J 65448 1 Light, stop/turn/tail - right, waterproof
 K 65605 1 Light, license plate - 12V
 L 60244 2 Screw, 8-32 x .750 pan phil, G2
 M 65449 1 Light, stop/turn/tail - left, waterproof

AXLE ASSEMBLY - SINGLE



01487

AXLE ASSEMBLY - SINGLE

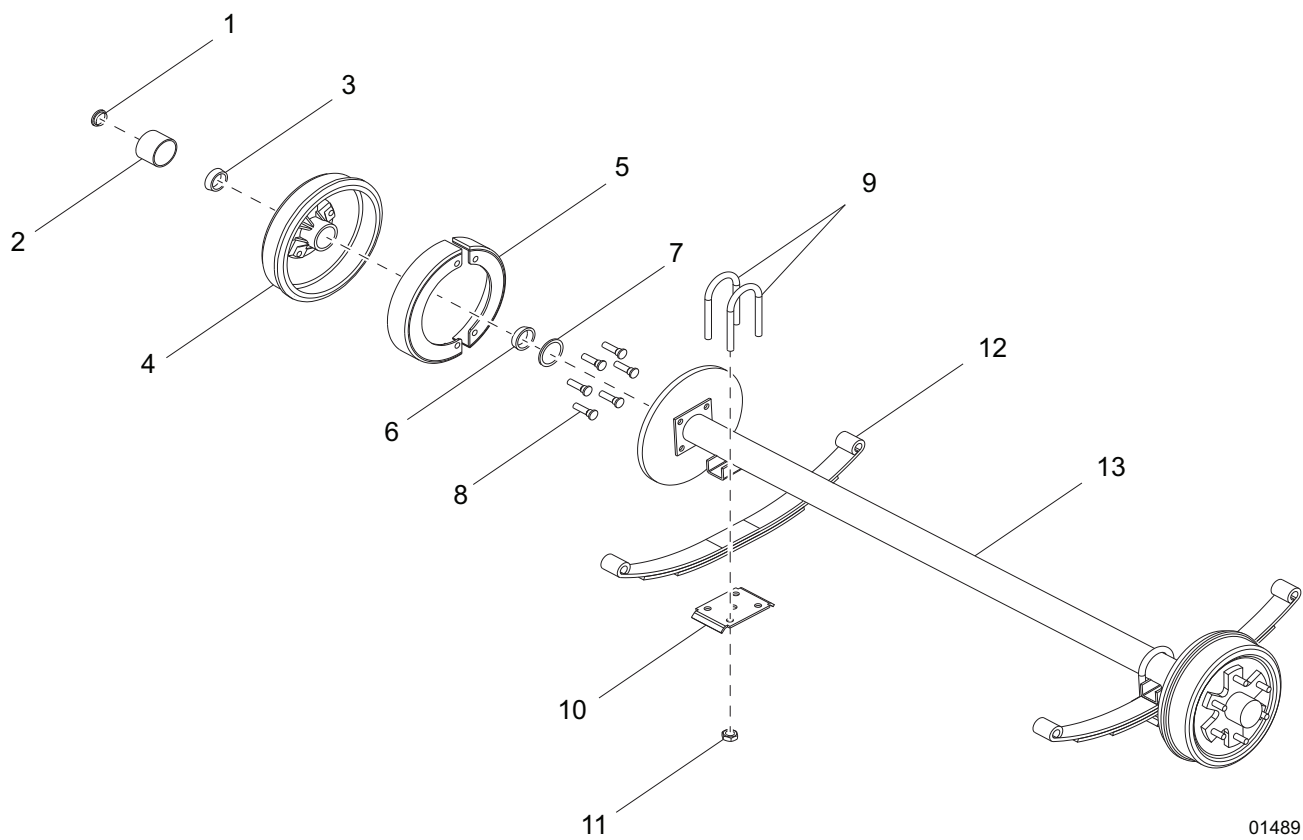
ITEM	PART NO.	QTY	DESCRIPTION	NOTES
1	11254	2	Plug, grease axle cap - for zerk	
2	23170	2	Cap, grease w/rubber plug	
3	26585	2	Outer hub bearing	
4	40958	2	Hub/brake drum	
5	26571	1	Assembly, surge brake - left	
	26572	1	Assembly, surge brake - right	
6	26576	2	Inner hub bearing	
7	26575	2	Inner grease seal 2.25 in	
8	60963	12	Stud, wheel - .500-20	
9	40875	4	U-bolt	
10	40874	2	Tie plate	
11	11203	8	Nut (U-bolt)	
12	27137	2	Spring, 6000 lb axle	
13	27135	1	Axle, 6000 lb surge	

OPTIONAL FEATURES

Electric Brakes:

--	26573	1	Assembly, electric brake - left	
--	26574	1	Assembly, electric brake - right	
--	27136	1	Axle, 6000 lb electric	

AXLE ASSEMBLY - TANDEM



01489

AXLE ASSEMBLY - TANDEM

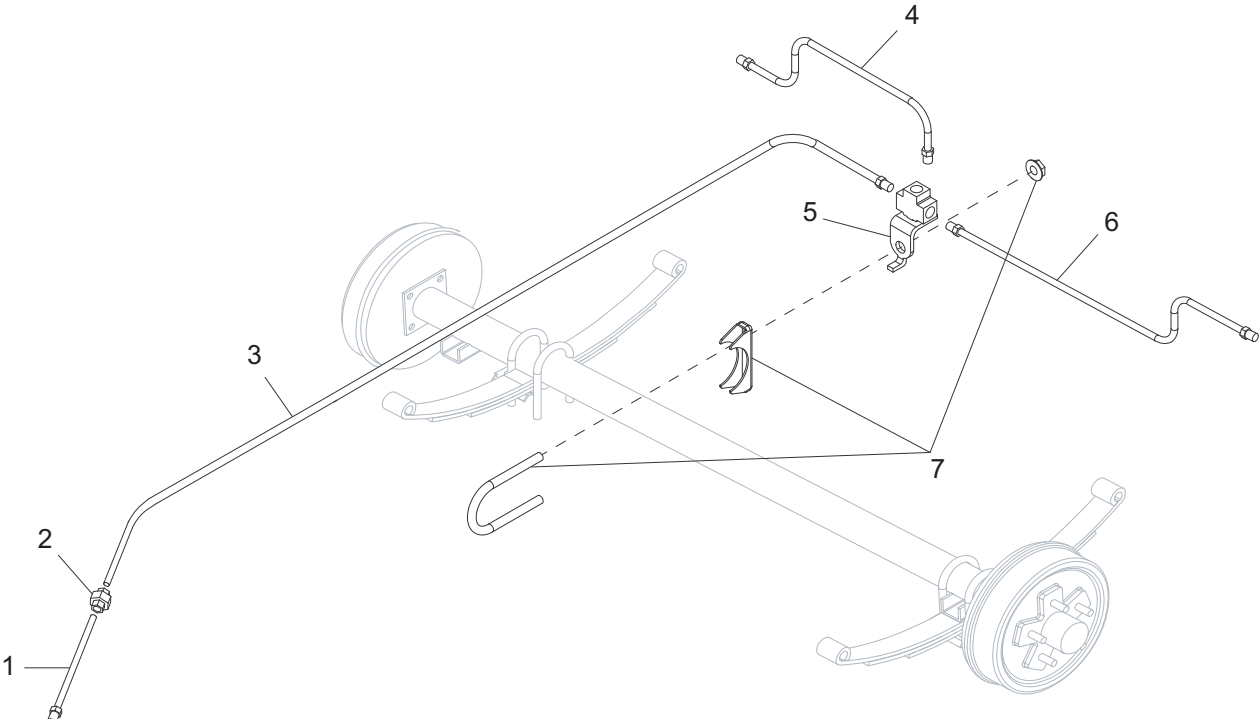
ITEM	PART NO.	QTY	DESCRIPTION	NOTES
1	11254	4	Plug, grease cap - for zerk	
2	11253	4	Cap, grease w/rubber plug 3500 lb	
3	40956	4	Outer bearing	
4	12311	4	Brake drum - 10 in. 5 on 4.5 in	
5	40764	2	Assembly, 10 in. surge brake - left	
	40765	2	Assembly, 10 in. surge brake - right	
6	40954	4	Inner bearing	
7	12307	4	Bearing seal DL350	
8	60674	20	Stud, wheel -.500-20, G8	
9	11277	8	U-bolt 3500 lb	
10	11278	4	Tie plate 3500 lb	
11	11203	16	Nut (U-bolt)	
12	26665	4	Spring - 27 in. 3500 lbs	
13	23100	2	Axle, 3500 lb surge - tandem	

OPTIONAL FEATURES

Electric Brakes:

--	26442	2	Assembly, 10 in. electric brake - left
--	26443	2	Assembly, 10 in. electric brake - right
--	23101	2	Axle, 3500 lb electric - tandem

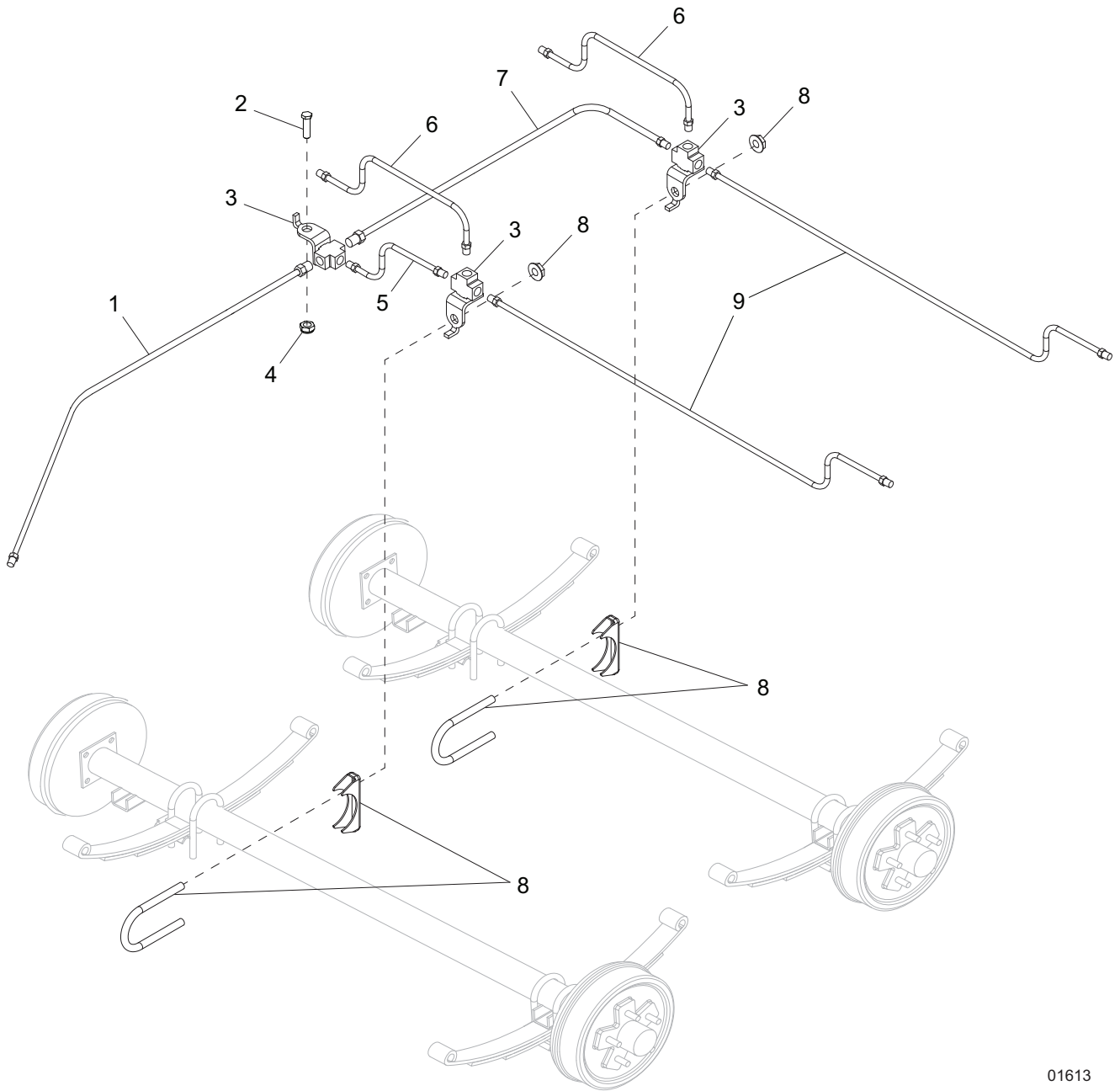
TRAILER BRAKE LINES - SINGLE AXLE



TRAILER BRAKE LINES - SINGLE AXLE

ITEM	PART NO.	QTY	DESCRIPTION	NOTES
1	23572	1	Hose, brake - .188 x 15.0	Male/male
2	22339	1	Fitting, strt - .188 brake line coupler	
3	23250	1	Hose, brake - .188 x 94.0	Male/male
4	23169	1	Line, brake - .188 x 12.00	
5	19252	1	Fitting, strt - .188 brake line T w/bracket	All female
6	40493	1	Line, brake - .188 x 40.0	
7	61028	1	Clamp, muffler - 2.50 lt duty	

TRAILER BRAKE LINES - TANDEM AXLE

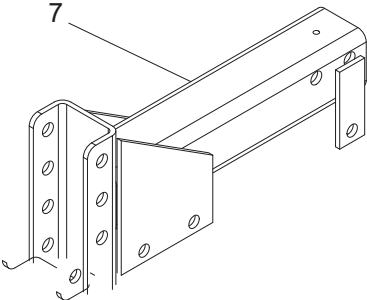
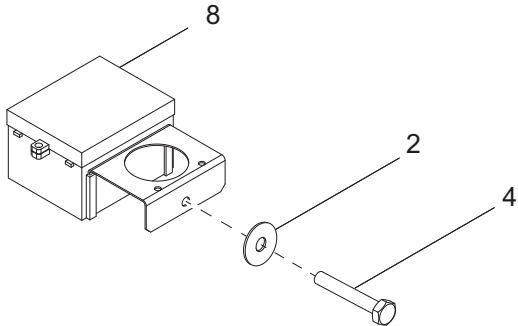
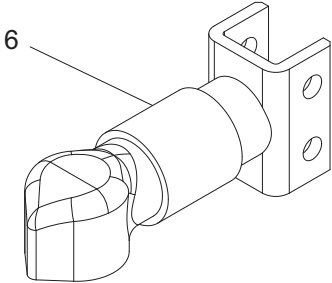
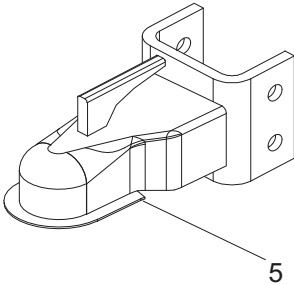
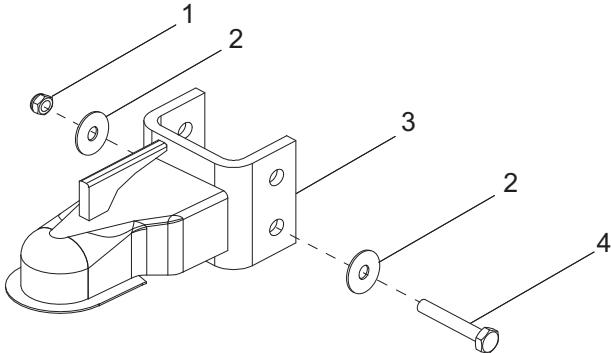


01613

TRAILER BRAKE LINES - TANDEM AXLE

ITEM	PART NO.	QTY	DESCRIPTION	NOTES
1	23250	1	Hose, brake - .188 x 94.0	Male/male
2	60684	1	Screw, .250-20 x .875 std hex	
3	19252	3	Fitting, strt - .188 brake line T w/bracket	All female
4	60144	1	Nut, .250-20 nylock, G5	
5	23572	1	Hose, brake - .188 x 15.0	Male/male
6	23169	1	Line, brake - .188 x 12.0	
7	40817	1	Hose, brake - .188 x 33.0	
8	61028	2	Clamp, muffler - 2.50 lt duty	
9	40493	2	Line, brake - .188 x 40.0	

TRAILER HITCH OPTIONS



01614

TRAILER HITCH OPTIONS

ITEM	PART NO.	QTY	DESCRIPTION	NOTES
1	60240	1	Nut, .625-11 nylock, G5	
2	60193	2	Washer, M16 flat	
3	19518	1	Coupler, 2.0 ball - adjustable	
4	60239	1	Screw, .625-11 x 5.0 std hex, G5	
5	19519	1	Coupler, 2.31 ball - adjustable, 20000 lb	
6	41795	1	Coupler, 2.31 bulldog - adjustable, 12500 lb	
Electric Brakes:				
7	19379B	1	Weldment, hitch electric - 4 pos. adjustable	
8	19417	1	Kit, breakaway	

RECOMMENDED SPARE PARTS LIST

ENGINE

Alternator	23346
Belt, fan	27016
Cap, engine oil fill (w/gasket).....	22375
Cap, fuel fill (w/gasket)	18648
Cap, radiator	19219
Dipstick/oil cap.....	26600
Element, air filter.....	26722
Element, OVR filter	24552
Filter, oil	26817
Filter, fuel - kit (primary & final).....	32911
Filter, fuel - final	26236
Filter, fuel - primary	26597
Hose, radiator - lower	26295
Hose, radiator - upper.....	26468
Jug, overflow - 2.5 qt	24952
Sensor, low coolant	30942
Starter.....	26818
Thermostat - engine.....	24061

ELECTRICAL

Breaker, 20A/240V, 1-pole.....	18091
Breaker, 300A, 12-24VDC	65372
Breaker, 50A/240V, 2-pole.....	18092
Controller, programmed - MMG75, MMG75CAN.....	66204
Controller, programmed - MMG75CAN6	67100
Lug, terminal.....	65344
Receptacle, 120V/20A GFI.....	14130
Receptacle, 120/240V 50A twist-lock	18089
Regulator, voltage - SE 350.....	18556
Relay, 65A SPST 12VDC ignition solenoid.....	18081
Switch, battery disconnect - option.....	21489
Switch, E-stop assembly. - 2 NO/1 NC	22550
Switch, lockout.....	18111
Switch, phase - 125A, 3 pos	65500
Switch, phase - 125A - Option: 4 pos	65667
Switch, toggle - 20A VAC.....	25077

TRAILER

Chain, safety, 7800 lb rated	23367
Jack, side wind - 2000 lb	11978
Light, stop/turn/tail - left	65449
Light, stop/turn/tail - right	65448

REV: E
PART NO: 26513
06.15.15